



ICEC PRICE LIST FOR **BLUE SEAL**® PRODUCTS



Model	Hob Options	Dimensions	Gas Power kW	Price (exc. VAT)
-------	-------------	------------	--------------	------------------

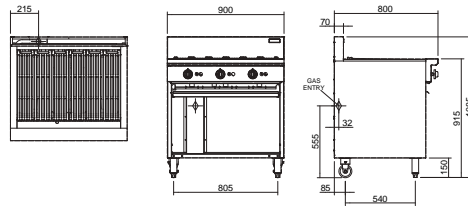


CB9

900mm GAS BBQ | OPEN CABINET BASE



CB9
900mm BBQ, Mounted
On Open Cabinet Base



29.4

£1,500.00

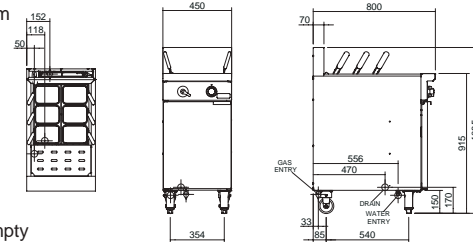


CP4

450mm | SINGLE PAN GAS PASTA COOKER



- W 450mm x D 800mm x H 915mm
- High performance single pan pasta cooker
 - Patented infra-red burner system
 - Easy clean 316 grade stainless steel open pan
 - 40L water capacity
 - Integrated water fill and starch skimming water faucet
 - Six stainless steel pasta baskets supplied
 - Hinged basket drain stand
 - Safety cut-out thermostat for empty pan/water boil out
 - Stainless steel exterior
 - Easy clean
 - Easy service
 - Fully modular



13

£2,300.00

240516 Noodle basket kit

£230.00



600mm | SALAMANDER BENCH



To suit QSET60/QSE60 rise and fall salamanders.

B60S-L Leg stand

£950.00

B60S-CB Cabinet base

£1,000.00

NEW PRODUCTS

HOT HOLDING CABINETS

Model	Hob Options	Dimensions	Gas Power kW	Price (exc. VAT)
-------	-------------	------------	--------------	------------------



H8D-UC

H8D-UC | HOLDING CABINET

- W 610mm x D 680mm x H 810mm
- 8 x 1/1 GN tray capacity
- 74mm tray spacing
- 1.2kW heating power
- Electronic touch sensitive control panel

1.2 £2,350.00



H8D-FS-UC

H8D-FS-UC | HOLDING CABINET

- W 735mm x D 810mm x H 810mm
- 8 full size 460mm x 660mm / 18" x 26" sheet pan capacity
- 74mm tray spacing
- 1.9kW heating power
- Electronic touch sensitive control panel

1.9 £2,400.00



H10D-FS

H10D-FS | HOLDING CABINET

- W 735mm x D 810mm x H 1015mm
- 10 full size 460mm x 660mm / 18" x 26" sheet pan capacity
- 74mm tray spacing
- 1.9kW heating power
- Electronic touch sensitive control panel

1.9 £2,500.00



H10D

H10D | HOLDING CABINET

- W 610mm x D 680mm x H 1015mm
- 10 1/1 GN pan capacity
- 74mm tray spacing
- 1.2kW heating power
- Electronic touch sensitive control panel

1.2 £2,400.00



EHT10-L

EHT10-L | TOUCH SCREEN ELECTRIC HUMIDIFIED HOLDING CABINET

- W 610mm x D 680mm x H 1015mm
- 10 1/1 GN pan capacity
- 2.3kW heating power
- Electronic touch sensitive control panel

2.3 £3,185.00



OPTIONAL EXTRAS

SKEHT10	Stainless steel stand with castors (2 with swivel lock) to suit EHT10-L model W610mm x D 727mm x H 609mm	£465.00
237472	Double stacking kit to suit E33/EHT10-L models	£150.00
234347	Filter head kit This kit supplies the cartridge mounting head assembly plus all associated plumbing/fittings for installation to P8/P12/P10/P85 provers. Also includes double check/pressure reducing valve and 2 metres of tubing for connection to supply	£210.00
234562	Filter Cartridge P124BN CUNO Filter cartridge itself for connection to above installation kit	£170.00



MISCELLANEOUS

Model	Hob Options	Dimensions	Gas Power kW	Price (exc. VAT)
-------	-------------	------------	--------------	------------------

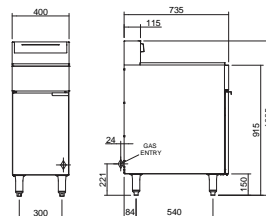
Fastfri®

FF18 | GAS FRYER 400mm



FF18

400mm wide single pan fryer
 Stainless steel finish
 18 litre oil capacity
 Mechanical thermostat
 Manual pilot ignition
 30mm drain valve
 90MJ multi-jet target burner
 25kg / hr production rate



25 £965.00

Splash Guards

237307	Left Hand	£100.00
237308	Right Hand	£100.00

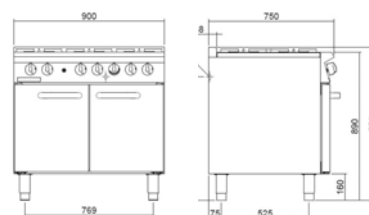


G750-6

G750-6 | GAS 6 BURNER RANGE STATIC OVEN



G750-6



42.7 £1,435.00

Mobile castor kit P/No 238007 (x4 castors)
 UKSPSR6 Splash back and over shelf

£95.00
 £455.00



QSET60/QSE60

QSET60 | RAPID HEAT RISE & FALL GRILL



QSET60	600mm wide x 450mm deep x 500mm high	4	£1,850.00
QSET60 Plate detector as standard.			
QSE60	600mm wide x 450mm deep x 500mm high	4	£1,715.00
9003	Wall brackets		£130.00

MISCELLANEOUS

Model	Hob Options	Dimensions	Gas Power kW	Price (exc. VAT)
E83		FOOD WARMER		



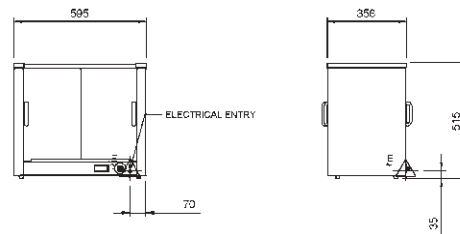
E83

W 595mm x D 356mm x H 515mm

- Temperature display
- Stay-cool door handles
- Easy-clean removable glass doors
- Anti-pilfer door locking clip
- Solid glass back option (no extra cost)
- Plugs into 10A power supply
- Capacity 50 pies
- Rack sizes 4 racks, 493 x 295mm
- Power Supply 220-240V 800W 3.4A
- Shipping Data 19.5kg, 0.16m3 packed

1

£525.00



E84		FOOD WARMER		
------------	--	--------------------	--	--



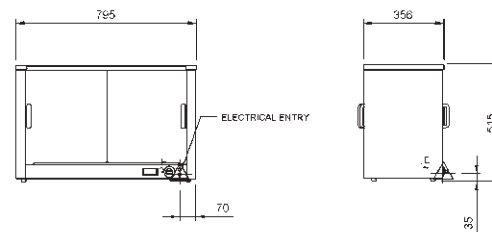
E84

W 795mm x D 356mm x H 515mm

- Thermostat control
- Temperature display
- Stay-cool door handles
- Easy-clean removable glass doors
- Anti-pilfer door locking clip
- Solid glass back option (no extra cost)
- Plugs into 10A power supply
- Capacity 80 – 100 pies
- Rack sizes 4 racks, 693 x 295mm
- Power Supply E84 220-240V 1100W 4.6A
- Shipping Data 25kg, 0.21m3 packed

1.5

£575.00



GAS COOKTOPS

Model	Hob Options	Dimensions	Gas Power kW	Price (exc. VAT)
-------	-------------	------------	--------------	------------------



300mm COOKTOPS | BENCH MODEL



G512D-B			14	£770.00
G512C-B			6	£925.00

G512D-B



600mm | BENCH MODEL



G514D-B			28	£1,400.00
G514C-B			20	£1,600.00
G514B-B			12	£1,750.00

G514D-B



600mm | CABINET BASE



G514D-CB			28	£1,600.00
G514C-CB			20	£1,750.00
G514B-CB			12	£1,900.00

G514D-CB

OPTIONAL	228791	Gastronorm racking kit 1/1 GN / 4 position	£170.00
----------	--------	--	---------



600mm | LEG STAND



G514D-LS			28	£1,500.00
G514C-LS			20	£1,690.00
G514B-LS			12	£1,850.00

G514D-LS

Note: Flame failure standard on open burners. Standard machined finish smooth griddle plate supplied.

Choice of griddle surfaces: Simply order the optional griddle plate model number and unit is supplied with your nominated surface. View options page 11.

GAS COOKTOPS

Model	Hob Options	Dimensions	Gas Power kW	Price (exc. VAT)
-------	-------------	------------	--------------	------------------



G516D-B

900mm COOKTOPS | BENCH MODEL



G516D-B			42	£1,725.00
G516C-B			34	£1,850.00
G516B-B			26	£2,000.00
G516A-B			18	£2,185.00

900mm | CABINET BASE



G516D-CB

G516D-CB			42	£2,100.00
G516C-CB			34	£2,250.00
G516B-CB			26	£2,400.00
G516A-CB			18	£2,550.00

OPTIONAL 228791 Gastronorm racking kit 1/1 GN / 4 position / 900mm Cabinet Base £245.00
Accommodates 1 or 2 Racking Kits

900mm | LEG STAND



G516C-LS

G516D-LS			42	£1,825.00
G516C-LS			34	£1,975.00
G516B-LS			26	£2,125.00
G516A-LS			18	£2,275.00

900mm | REFRIGERATED BASE, 2 x 1/1 GN DRAWERS



G516D-RB

G516D-RB			42	£4,000.00
G516C-RB			34	£4,125.00
G516B-RB			26	£4,275.00
G516A-RB			18	£4,450.00

Note: Flame failure standard on open burners. Standard machined finish smooth griddle plate supplied.

Choice of griddle surfaces: Simply order the optional griddle plate model number and unit is supplied with your nominated surface. View options page 11.

GAS COOKTOPS

Model	Hob Options	Dimensions	Gas Power kW	Price (exc. VAT)
		1200mm COOKTOPS BENCH MODEL		
G518D-B			56	£2,100.00
G518C-B			48	£2,250.00
G518B-B			40	£2,400.00
G518A-B			32	£2,550.00

G518B



G518C-B

1200mm	CABINET BASE (RACKING KIT NOT INCLUDED)			
G518D-CB			56	£2,450.00
G518C-CB			48	£2,600.00
G518B-CB			40	£2,775.00
G518A-CB			32	£2,900.00
OPTIONAL	228791 Gastronorm racking kit fits 1/1 GN or 2/1 GN / 4 position / 1200mm Cabinet Base. Accommodates 1 or 2 Racking Kits			£170.00



G518-LS

1200mm	LEG STAND			
G518D-LS			56	£2,275.00
G518C-LS			48	£2,450.00
G518B-LS			40	£2,575.00
G518A-LS			32	£2,750.00

1200mm	REFRIG. BASE, 2x1/1 GN DRAWERS / 1x1/1 GN DOOR			
G518D-RB			56	£4,550.00
G518C-RB			48	£4,700.00
G518B-RB			40	£4,775.00
G518A-RB			32	£5,000.00

Note: Flame failure standard on open burners. Standard machined finish smooth griddle plate supplied.

Choice of griddle surfaces: Simply order the optional griddle plate model number and unit is supplied with your nominated surface. View options page 11.

Model	Description	Price (exc. VAT)
300mm OPTIONAL GRIDDLE PLATE SURFACE		
PG312R3*	300mm x 12mm Griddle plate – ribbed full	£730.00

600mm OPTIONAL GRIDDLE PLATE SURFACE		
PG612R3*	600mm x 12mm Griddle plate – ribbed 300mm RH	£840.00
PG612R6*	600mm x 12mm Griddle plate – ribbed full	£1,100.00

900mm OPTIONAL GRIDDLE PLATE SURFACE		
PG912R3*	900mm x 12mm Griddle plate – ribbed 300mm RH	£925.00
PG912R5*	900mm x 12mm Griddle plate – ribbed 450mm RH	£1,175.00
PG912R9*	900mm x 12mm Griddle plate – ribbed full	£1,850.00





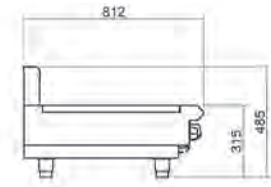

900mm OPTIONAL GRIDDLE PLATE SURFACE FOR 1200mm WIDE HOBS		
PG912R3*	900mm x 12mm Griddle plate – ribbed 300mm RH	£925.00
PG912R5*	900mm x 12mm Griddle plate – ribbed 450mm RH	£1,175.00
PG912R9*	900mm x 12mm Griddle plate – ribbed full	£1,850.00

OPTIONAL EXTRAS GAS COOKTOPS





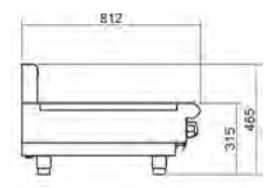

228807	Mobile castor kit (set of 2 lockable)	£90.00
Flex3/4/51	Flexihose 3/4 (flexible quick coupling hose & tether chain)	£165.00
230013	Bench shield, fits LH or RH of open burners	£80.00

Note: The standard plate is not included when ordering an optional griddle plate surface.
*Options must be specified at the placement of order.



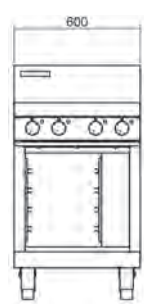

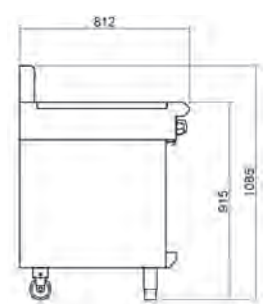

ELECTRIC COOKTOPS

Model	Hob Options	Dimensions	Price (exc. VAT)
		300mm COOKTOPS	
		BENCH MODEL	
			£800.00
			£950.00
			
<p>E512D-B Electrical requirements: 4.8kW, 230-240Vac, 50/60Hz, 1P+N+E, 20A</p> <p>E512C-B Electrical requirements: 3.4kW, 230-240Vac, 50/60Hz, 1P+N+E, 14.2A</p>			

E512C -B

Model	Hob Options	Dimensions	Price (exc. VAT)
		600mm COOKTOPS	
		BENCH MODEL	
			£1,725.00
			£1,875.00
			£2,000.00
<p>E514D-B Electrical requirements: 9.6kW, 400-415Vac, 50/60Hz, 2P+N+E, 20A</p> <p>E514C-B Electrical requirements: 8.2kW, 400-415Vac, 50/60Hz, 2P+N+E, 20A</p> <p>E514B-B Electrical requirements: 6.8kW, 230-240Vac, 50/60Hz, 1P+N+E, 30A</p>			

E514C-B

Model	Hob Options	Dimensions	Price (exc. VAT)
		600mm	
		CABINET BASE (RACKING KIT NOT INCLUDED)	
			£1,825.00
			£1,975.00
			£2,100.00
<p>E514D-CB Electrical requirements: 9.6kW, 400-415Vac, 50/60Hz, 2P+N+E, 20A</p> <p>E514C-CB Electrical requirements: 8.2kW, 400-415Vac, 50/60Hz, 2P+N+E, 20A</p> <p>E514B-CB Electrical requirements: 6.8kW, 230-240Vac, 50/60Hz, 1P+N+E, 30A</p>			



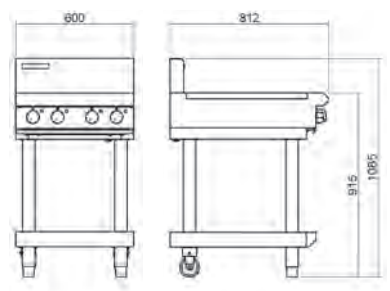




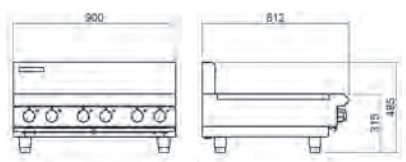





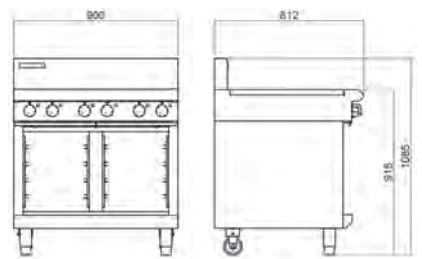



E514D-CB

OPTIONAL	228791	Gastronorm racking kit 1/1 GN / 4 position	£170.00
-----------------	---------------	---	----------------

Note: Standard machined finish smooth griddle plate supplied.

Choice of griddle surfaces: Simply order the optional griddle plate model number and unit is supplied with your nominated surface. View options page 15.

ELECTRIC COOKTOPS

Model	Hob Options	Dimensions	Price (exc. VAT)	
600mm COOKTOPS LEG STAND				
			£1,800.00	
	E514D-LS Electrical requirements: 9.6kW, 400-415Vac, 50/60Hz, 2P+N+E, 20A			£1,900.00
	E514C-LS Electrical requirements: 8.2kW, 400-415Vac, 50/60Hz, 2P+N+E, 20A			£2,100.00
	E514B-LS Electrical requirements: 6.8kW, 230-240Vac, 50/60Hz, 1P+N+E, 30A			
900mm COOKTOPS BENCH MODEL				
			£2,400.00	
	E516D-B Electrical requirements: 14.4kW, 400-415Vac, 50/60Hz, 3P+N+E, 20A			£2,575.00
	E516C-B Electrical requirements: 13kW, 400-415Vac, 50/60Hz, 3P+N+E, 20A			£2,700.00
	E516B-B Electrical requirements: 11.6kW, 400-415Vac, 50/60Hz, 3P+N+E, 20A			£2,875.00
			£2,600.00	
	E516D-CB Electrical requirements: 14.4kW, 400-415Vac, 50/60Hz, 3P+N+E, 20A			£2,800.00
	E516C-CB Electrical requirements: 13kW, 400-415Vac, 50/60Hz, 3P+N+E, 20A			£2,950.00
	E516B-CB Electrical requirements: 11.6kW, 400-415Vac, 50/60Hz, 3P+N+E, 20A			£3,100.00
E516A-CB Electrical requirements: 10.2kW, 400-415Vac, 50/60Hz, 3P+N+E, 15A			£3,100.00	
OPTIONAL		228791	Gastronorm racking kit 1/1 GN / 4 position / 900mm Cabinet Base Accommodates 1 or 2 racking kits	£170.00

E514D-LS

E516D-B

E516D-CB

Note: Standard machined finish smooth griddle plate supplied.

Choice of griddle surfaces: Simply order the optional griddle plate model number and unit is supplied with your nominated surface. View options page 15.

ELECTRIC COOKTOPS

Model	Hob Options	Dimensions	Price (exc. VAT)
-------	-------------	------------	------------------



E516B-LS

900mm COOKTOPS | LEG STAND

E516D-LS Electrical requirements: 14.4kW, 400-415Vac, 50/60Hz, 3P+N+E, 20A			£2,575.00
E516C-LS Electrical requirements: 13kW, 400-415Vac, 50/60Hz, 3P+N+E, 20A			£2,700.00
E516B-LS Electrical requirements: 11.6kW, 400-415Vac, 50/60Hz, 3P+N+E, 20A			£2,875.00
E516A-LS Electrical requirements: 10.2kW, 400-415Vac, 50/60Hz, 3P+N+E, 15A			£3,000.00

900mm | REFRIGERATED BASE, 2 x 1/1 GN DRAWERS

E516D-RB Electrical requirements: 14.4kW, 400-415Vac, 50/60Hz, 3P+N+E, 20A			£3,700.00
E516C-RB Electrical requirements: 13kW, 400-415Vac, 50/60Hz, 3P+N+E, 20A			£3,850.00
E516B-RB Electrical requirements: 11.6kW, 400-415Vac, 50/60Hz, 3P+N+E, 20A			£4,000.00
E516A-RB Electrical requirements: 10.2kW, 400-415Vac, 50/60Hz, 3P+N+E, 15A			£4,150.00

Note: Standard machined finish smooth griddle plate supplied.

Choice of griddle surfaces: Simply order the optional griddle plate model number and unit is supplied with your nominated surface. View options page 15.

Model	Description	Price (exc. VAT)
300mm OPTIONAL GRIDDLE PLATE SURFACE		
PE312R3*	300mm x 12mm Griddle plate – ribbed full	£770.00

600mm OPTIONAL GRIDDLE PLATE SURFACE		
PE612R3*	600mm x 12mm Griddle plate – ribbed 300mm RH	£875.00
PE612R6*	600mm x 12mm Griddle plate – ribbed full	£1,275.00

900mm OPTIONAL GRIDDLE PLATE SURFACE		
PE912R3*	900mm x 12mm Griddle plate – ribbed 300mm RH	£1,175.00
PE912R5*	900mm x 12mm Griddle plate – ribbed 450mm RH	£1,350.00
PE912R9*	900mm x 12mm Griddle plate – ribbed full	£1,950.00

OPTIONAL EXTRAS ELECTRIC COOKTOPS

228807	Mobile castor kit (2 lockable)	£90.00
013600	Solid cast element	£185.00

Note: The standard plate is not included when ordering an optional griddle plate surface.
*Options must be specified at the placement of order.

INDUCTION COOKTOPS



- High performance 450mm and 900mm Induction Cooktops
- 6mm thick ceramic glass cooking surface with Cabinet Base
- Fully modular with adjustable feet for match suite finish
- Two/Four 270mm diameter induction zones
- Infinitely variable power controls for each induction zone
- Automatic pan detection switches cooking zone off when a pan is removed
- Heating ON indicator lights (green) including pan detection indication
- Fully sealed cooking surface
- Removable full stainless steel air intake filters (induction cooling)
- Front service access

NEW MODELS AVAILABLE EARLY 2023

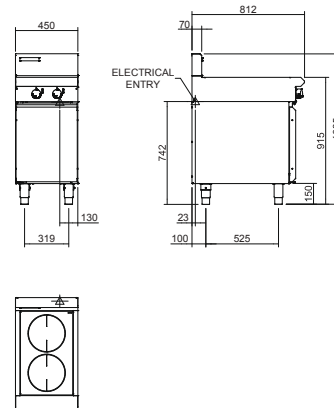
Model	Dimensions	Price (exc. VAT)
-------	------------	------------------



450mm 2 ZONE INDUCTION COOKTOP | CABINET BASE

IN512
 2 x 5kW induction plates
 Ø 270mm cooking zones

Electrical requirements:
 IN512-CB
 10kW, 400-415Vac, 50/60hz, 3P+E
 16A/phase



TBC

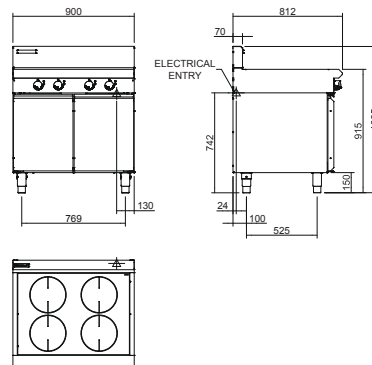
IN512-CB



900mm 4 ZONE INDUCTION COOKTOP | CABINET BASE

IN514
 4 x 5kW induction plates
 Ø 270mm cooking zones



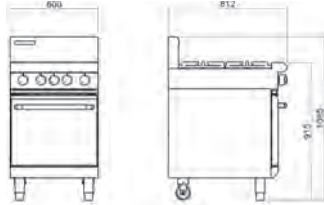




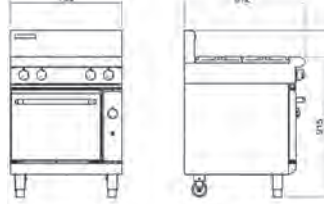



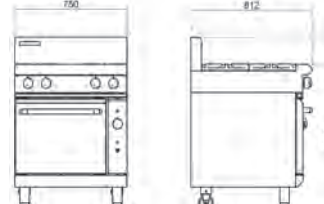



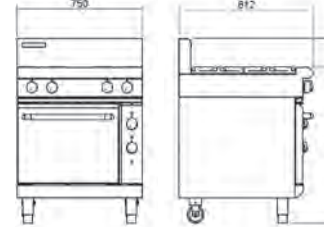

Electrical requirements
 IN514-CB
 20kW, 400-415Vac, 50/60hz, 3P+E
 32A/phase



TBC

IN514-CB

GAS OVEN RANGES

Model	Hob Options	Dimensions	Gas Power kW	Price (exc. VAT)
		600mm GAS RANGE	STATIC OVEN - 1/1 GN	
			37.7	£1,725.00
G504C			27.8	£1,900.00
G504B			17.8	£2,050.00
		750mm GAS RANGE	STATIC OVEN - 1/1	
			37	£1,925.00
G505C			29	£2,075.00
		750mm GAS RANGE	CONVECTION OVEN - 1/1	
			37	£3,000.00
G54C			29	£3,200.00
		750mm GAS RANGE	ELECTRIC STATIC OVEN - 1/1 GN	
			28	£2,850.00
GE505C			20	£3,000.00
		Electrical requirements: 5.5kW, 230-240Vac, 50/60Hz, 1P+N+E, 23A standard or 5.5kW, 400-415Vac, 50/60Hz, 3P+N+E, 8A		

G504D

G505D

G54C

GE505D

Note: Flame failure standard on open burners. Standard machined finish smooth griddle plate supplied.
Choice of griddle surfaces: Simply order the optional griddle plate model number and unit is supplied with your nominated surface. View options page 22.

GAS OVEN RANGES

Model	Hob Options	Dimensions	Gas Power kW	Price (exc. VAT)
-------	-------------	------------	--------------	------------------



GE54D

750mm GAS RANGE | ELECTRIC CONVECTION OVEN - 1/1 GN

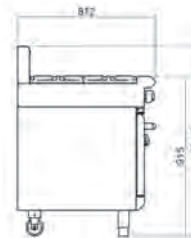
GE54D



28

£3,400.00

GE54C



20

£3,575.00



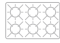


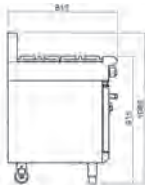


Electrical requirements:

5.6kW, 230-240Vac,
50/60Hz, 1P+N+E, 23.3A
standard or 5.6kW, 400-415Vac,
50/60Hz, 3P+N+E, 8A












Note: Flame failure standard on open burners. Standard machined finish smooth griddle plate supplied.
Choice of griddle surfaces: Simply order the optional griddle plate model number and unit is supplied with your nominated surface. View options page 22.

GAS OVEN RANGES

Model	Hob Options	Dimensions	Gas Power kW	Price (exc. VAT)
		900mm GAS RANGE STATIC OVEN - 2/1 GN		 
G506D			51	£1,900.00
G506C			43	£2,025.00
G506B			35	£2,200.00
G506A			27	£2,325.00





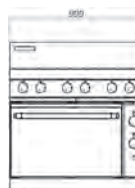

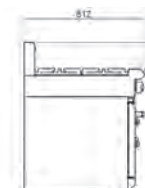


G506D



		900mm GAS RANGE CONVECTION OVEN - 2/1		  
G56D			51	£3,700.00
G56C			43	£3,800.00
G56B			35	£4,000.00
G56A			27	£4,150.00





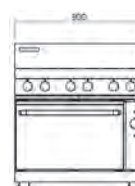




G56D



		900mm GAS RANGE ELECTRIC STATIC OVEN - 2/1		  
GE506D			42	£3,100.00
GE506C			34	£3,250.00
GE506B			26	£3,375.00
GE506A			18	£3,525.00

GE506D



		900mm GAS RANGE ELECTRIC CONVECTION OVEN - 2/1GN		  
GE56D			42	£4,550.00
GE56C			34	£4,700.00
GE56B			26	£4,850.00
GE56A			18	£5,000.00









GE56D



Note: Flame failure standard on open burners. Standard machined finish smooth griddle plate supplied.










Choice of griddle surfaces: Simply order the optional griddle plate model number and unit is supplied with your nominated surface. View options page 22.

GAS OVEN RANGES

Model	Hob Options	Dimensions	Gas Power kW	Price (exc. VAT)
		1200mm GAS RANGE STATIC OVEN - 2/1 GN		 
G508D		 	65	£3,125.00
G508C			57	£3,275.00
G508B			49	£3,400.00
G508A			41	£3,575.00

G508D







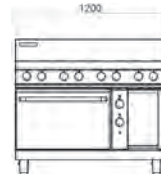




		1200mm GAS RANGE CONVECTION OVEN - 2/1		  
G58D		 	65	£4,475.00
G58C			57	£4,600.00
G58B			49	£4,775.00
G58A			41	£4,925.00

G58D












Electrical requirements::

0.13kW, 230-240Vac,
50/60Hz, 1P+N+E, 0.6A
3 PIN, 13A Cordset fitted

		1200mm GAS RANGE ELECTRIC STATIC OVEN - 2/1		  
GE508D		 	56	£3,625.00
GE508C			48	£3,800.00
GE508B			40	£3,925.00
GE508A			24	£4,100.00

GE508D



		1200mm GAS RANGE ELECTRIC CONVECTION OVEN - 2/1 GN		  
GE58D		 	56	£4,900.00
GE58C			48	£5,025.00
GE58B			40	£5,250.00
GE58A			24	£5,400.00

GE58D



Electrical requirements:

Standard Supply
6.6kW, 230-240Vac,
50/60Hz, 1P+N+E, 27.7A standard
or 6.6kW, 400-415Vac, 50/60Hz,
3P+N+E, 10A






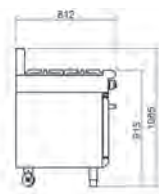


Note: Flame failure standard on open burners. Standard machined finish smooth griddle plate supplied.

Choice of griddle surfaces: Simply order the optional griddle plate model number and unit is supplied with your nominated surface. View options page 22.

GAS DOUBLE OVEN RANGES



G528D

Model	Hob Options	Dimensions	Gas Power kW	Price (exc. VAT)
1200mm GAS RANGE		DOUBLE STATIC OVEN - 2 x 1/1 GN		 
G528D			69.2	£3,950.00
G528C			61.2	£4,100.00
G528B			53.2	£4,250.00
G528A			45.2	£4,400.00

Note: Flame failure standard on open burners. Standard machined finish smooth griddle plate supplied.
Choice of griddle surfaces: Simply order the optional griddle plate model number and unit is supplied with your nominated surface. View options below.

GAS OVEN RANGES

Model	Description	Price (exc. VAT)
300mm		OPTIONAL GRIDDLE PLATE SURFACE
PG312R3*	300mm x 12mm Griddle plate – ribbed full	£725.00
600mm		OPTIONAL GRIDDLE PLATE SURFACES
PG612R3*	600mm x 12mm Griddle plate – ribbed 300mm RH	£825.00
PG612R6*	600mm x 12mm Griddle plate – ribbed full	£1,100.00
900mm		OPTIONAL GRIDDLE PLATE SURFACES
PG912R3*	900mm x 12mm Griddle plate – ribbed 300mm RH	£925.00
PG912R5*	900mm x 12mm Griddle plate – ribbed 450mm RH	£1,175.00
PG912R9*	900mm x 12mm Griddle plate – ribbed full	£1,850.00
900mm		OPTIONAL GRIDDLE PLATE SURFACES FOR 1200mm WIDE HOBS
PG912R3*	900mm x 12mm Griddle plate – ribbed 300mm RH	£925.00
PG912R6*	900mm x 12mm Griddle plate – ribbed 600mm RH	£1,175.00
PG912R9*	900mm x 12mm Griddle plate – ribbed full	£1,850.00



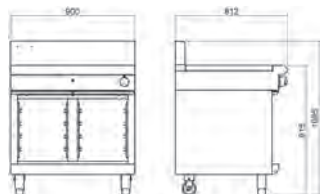




OPTIONAL EXTRAS GAS OVEN RANGES

227896	Oven rack for 900mm ovens	£57.00
228106	Oven rack for 600mm ovens	£56.00
228807	Mobile castor kit (set of 2 lockable)	£90.00
Flex3/4/51	Flexihose 3/4 (flexible quick coupling hose & tether chain)	£160.00
230013	Bench shield, fits LH or RH of open burners	£80.00
UKSP4	Splashback, overshelf for 4 burner ranges	£455.00
UKSP6	Splashback, overshelf and grill shelf for 6 burner ranges	£455.00
UKSP8	Splashback, overshelf for 8 burner range	£455.00

Note: The standard plate is not included when ordering an optional griddle plate surface.

*Options must be specified at the placement of order.

GAS TARGET TOPS

Model	Dimensions	Gas Power kW	Price (exc. VAT)
900mm TARGET TOP BENCH MODEL 			
 G57-B		12.5	£2,100.00
900mm TARGET TOP CABINET BASE (RACKING KIT NOT INCLUDED) 			
 G57-CB		12.5	£2,575.00
OPTIONAL	228791 Gastronorm racking kit 1/1 GN / 4 position / 900mm Cabinet Base Accommodates 1 or 2 Racking Kits £170.00		
900mm TARGET TOP LEG STAND 			
 G57-LS		12.5	£2,275.00
900mm TARGET TOP REFRIGERATED BASE, 2 x 1/1 GN DRAWERS 			
 G57-RB		12.5	£4,525.00
(RB) ELECTRICAL REQUIREMENT		0.5kW, 220-240Vac, 50Hz, 1P+N+E, 1.8A 3 PIN, 13A Cordset fitted	

G57-B

G57-CB

G57-LS

G57-RB

GAS TARGET TOP OVEN RANGES

Model	Dimensions	Gas Power kW	Price (exc. VAT)
-------	------------	--------------	------------------

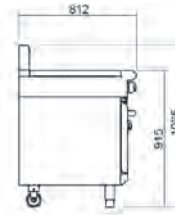


G570

900mm GAS TARGET TOP | STATIC OVEN RANGE – 2/1 GN



G570



21.5

£2,900.00



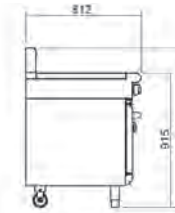
G576

900mm GAS TARGET TOP | CONVECTION OVEN RANGE – 2/1 GN



G576

Electrical requirements:
0.13kW, 230-240Vac,
50/60Hz, 1P+N+E, 0.6A
3 PIN, 13A Cordset fitted



21.5

£3,850.00



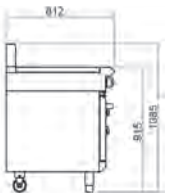
GE570

900mm GAS TARGET TOP | ELECTRIC STATIC OVEN RANGE – 2/1 GN



GE570

Electrical requirements:
6.5kW, 230-240Vac, 50/60Hz,
1P+N+E, 27A standard or
6.5kW, 400-415Vac, 50/60Hz,
3P+N+E, 10A



12.5

£3,000.00



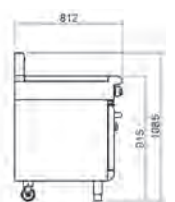
GE576

900mm GAS TARGET TOP | ELECTRIC CONVECTION OVEN RANGE – 2/1 GN



GE576

Electrical requirements:
6.5kW, 230-240Vac, 50/60Hz,
1P+N+E, 27A standard or
6.5kW, 400-415Vac, 50/60Hz,
3P+N+E, 10A



12.5

£3,900.00



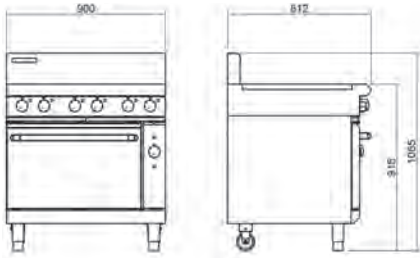




OPTIONAL EXTRAS

GAS TARGET TOPS / OVEN RANGES



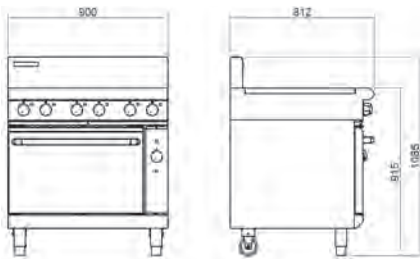


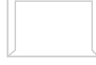

227896	Oven rack to suit all 6 burner oven ranges	£57.00
014997	Casting Hook	£49.00
228807	Mobile castor kit (set of 2 lockable)	£90.00
Flex3/4/51	Flexihose 3/4 (flexible quick coupling hose & tether chain)	£160.00

*Options must be specified at the placement of order.

ELECTRIC OVEN RANGES

Model	Hob Options	Dimensions	Price (exc. VAT)	
900mm ELECTRIC RANGE		STATIC OVEN - 2/1 GN		
			£2,900.00	
	E506D Electrical requirements: 20.9kW, 400-415Vac, 50/60Hz, 3P+N+E			£3,100.00
	E506C Electrical requirements: 19.5kW, 400-415Vac, 50/60Hz, 3P+N+E			£3,250.00
	E506B Electrical requirements: 18.1kW, 400-415Vac, 50/60Hz, 3P+N+E			£3,375.00
E506A Electrical requirements: 16.7kW, 400-415Vac, 50/60Hz, 3P+N+E			£3,375.00	

E506D

Model	Hob Options	Dimensions	Price (exc. VAT)	
900mm ELECTRIC RANGE		CONVECTION OVEN - 2/1 GN		
			£3,650.00	
	E56D Electrical requirements: 21.0kW, 400-415Vac, 50/60Hz, 3P+N+E			£3,800.00
	E56C Electrical requirements: 19.6kW, 400-415Vac, 50/60Hz, 3P+N+E			£3,975.00
	E56B Electrical requirements: 18.2kW, 400-415Vac, 50/60Hz, 3P+N+E			£4,100.00
E56A Electrical requirements: 16.8kW, 400-415Vac, 50/60Hz, 3P+N+E			£4,100.00	

E56D

900mm	OPTIONAL GRIDDLE PLATE SURFACES	Price (exc. VAT)
PE912R3*	900mm x 12mm Griddle plate – ribbed 300mm RH	£1,175.00
PE912R5*	900mm x 12mm Griddle plate – ribbed 450mm RH	£1,350.00
PE912R9*	900mm x 12mm Griddle plate – ribbed full	£1,950.00

OPTIONAL EXTRAS ELECTRIC OVEN RANGES		
227896	Oven rack to suit E506D series	£57.00
228807	Mobile castor kit (2 lockable)	£90.00
013600	Solid cast element	£185.00

Note: The standard plate is not included when ordering an optional griddle plate surface.

*Options must be specified at the placement of order.

Note: Standard machined finish smooth griddle plate supplied.

Choice of griddle surfaces: Simply order the optional griddle plate model number and unit is supplied with your nominated surface. View options above.

GAS TILTING BRATT PANS

Model	Dimensions	Gas Power kW	Price (exc. VAT)
-------	------------	--------------	------------------



900mm | GAS TILTING 80 LITRE BRATT PANS

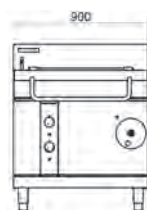


G580-8

80 Litre stainless steel pan
Manually operated tilting mechanism

Electrical requirements:

220-240Vac, 50/60Hz, 1P+N+E, 1A
3 Pin 13A cordset fitted



20

£5,200.00

G580-8E

80 Litre stainless steel pan
Electric power tilting mechanism

Electrical requirements:

220-240Vac, 50/60Hz, 1P+N+E, 1A
3 Pin 13A cordset fitted



20

£5,600.00

G580-8



1200mm | GAS TILTING 120 LITRE BRATT PANS

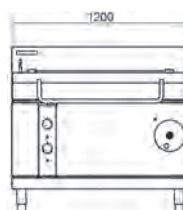


G580-12

120 Litre stainless steel pan
Manually operated tilting mechanism

Electrical requirements:

220-240Vac, 50/60Hz, 1P+N+E, 1A
3 Pin 13A cordset fitted



25

£6,200.00

G580-12E

120 Litre stainless steel pan
Electric power tilting mechanism G580-12

Electrical requirements:

220-240Vac, 50/60Hz, 1P+N+E, 1A
3 Pin 13A cordset fitted



25

£6,600.00

G580-12

OPTIONAL EXTRAS | BLUE SEAL GAS COOKING EQUIPMENT

Flex3/4/51

Flexihose 3/4 (flexible quick coupling hose & tether chain)

£160.00

*Options must be specified at the placement of order.

ELECTRIC TILTING BRATT PANS

Model	Dimensions	Price (exc. VAT)
-------	------------	------------------

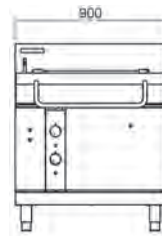


900mm | ELECTRIC TILTING 80 LITRE BRATT PANS



E580-8
80 Litre stainless steel pan
Manually operated tilting mechanism

Electrical requirements:
12kW, 400-415Vac, 50/60Hz,
3P+N+E, 17A



£5,200.00

E580-8E
80 Litre stainless steel pan
Electric power tilting mechanism
E580-8E

Electrical requirements:
12kW, 400-415Vac, 50/60Hz,
3P+N+E, 17A

£5,600.00

E580-8E

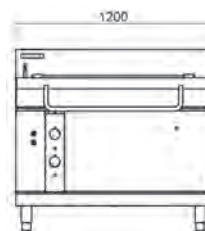


1200mm | ELECTRIC TILTING 120 LITRE BRATT PANS



E580-12
120 Litre stainless steel pan
Manually operated tilting mechanism

Electrical requirements:
17kW, 400-415Vac, 50/60Hz,
3P+N+E, 23A



£6,200.00

E580-12E
120 Litre stainless steel pan
Electric power tilting mechanism

Electrical requirements:
17kW, 400-415Vac, 50/60Hz,
3P+N+E, 23A

£6,600.00

E580-12E



EB45D | BAIN-MARIE



W 450mm x D 812mm x H 915mm Incl. heater 1224mm
Heating Elements 1 x 1kW surface mount element
Cold water connection 184mm from right hand side, 555mm from floor
R1/2 (BSP) male
550kPa 80psi maximum water pressure
Nett weight 53kg nett

3kW
13amp

£2,000.00

EB45D

GAS GRIDDLES

Model	Dimensions	Gas Power kW	Price (exc. VAT)
-------	------------	--------------	------------------



GP513-LS

GP513 | GAS GRIDDLE 450mm




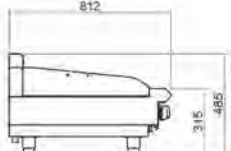
450mm gas griddle		Dimensions: mm (w x d x h)		
11.5kW thermostatic burner	GP513-B	450 x 812 x 485	11.1	£1,850.00
Top weld sealed plates				
Mirror chromed plate option	GP513-LS	450 x 812 x 1085	11.1	£2,000.00
20mm thick griddle plate				
Heavy-duty thermostatic griddle	GP513-CB	450 x 812 x 1085	11.1	£2,100.00
Full pilot and flame failure with piezo ignition				
2 models of the base unit				
Easy clean, installation and service				



GP514-B

600mm GAS GRIDDLE | BENCH MODEL



GP514-B			14.5	£2,100.00
----------------	---	--	------	-----------


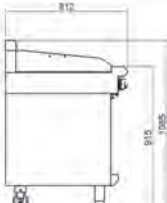
STANDARD PLATE SUPPLIED | Smooth machined finish mild steel plate PGH620



GP514-CB

600mm GAS GRIDDLE | CABINET BASE (RACKING KIT NOT INCLUDED)



GP514-CB			14.5	£2,350.00
-----------------	---	--	------	-----------

OPTIONAL | 228791 Gastronorm racking kit 1/1 GN / 4 position | £170.00


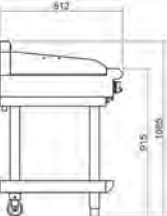
STANDARD PLATE SUPPLIED | Smooth machined finish mild steel plate PGH620



GP514-LS

600mm GAS GRIDDLE | LEG STAND



GP514-LS			14.5	£2,250.00
-----------------	---	--	------	-----------

STANDARD PLATE SUPPLIED | Smooth machined finish mild steel plate PGH620

Choice of griddle surfaces: Simply order the optional griddle plate model number and unit is supplied with your nominated surface. View options page 29.
 Note: The standard plate is not included when ordering an optional griddle plate surface.

GAS GRIDDLES

OPTIONAL EXTRAS | 600mm GRIDDLE PLATE SURFACES – CHROMED/RIBBED

PGH620C*	600mm x 20mm Heavy-duty griddle plate – chromed	£1,400.00
PGH620R3*	600mm x 20mm Heavy-duty griddle plate – ribbed 300RH	£2,200.00
PGH620R3C*	600mm x 20mm Heavy-duty griddle plate – ribbed 300RH chromed	£1,200.00
PGH620R6*	600mm x 20mm Heavy-duty griddle plate – ribbed full	£1,150.00
PGH620R6C	600mm x 20mm Heavy-duty griddle plate – ribbed full channel	£1,200.00

*Options must be specified at the placement of order.

PGH420C	£1,375.00
PGH420R5	£1,850.00

Model	Dimensions	Gas Power kW	Price (exc. VAT)
-------	------------	--------------	------------------



900mm GAS GRIDDLE | BENCH MODEL



GP516-B		23	£2,450.00
----------------	--	----	-----------

GP516-B

STANDARD PLATE SUPPLIED | Smooth machined finish mild steel plate PGH920



900mm GAS GRIDDLE | CABINET BASE (RACKING KIT NOT INCLUDED)



GP516-CB		23	£2,850.00
-----------------	--	----	-----------

GP516-CB

OPTIONAL | 228791 Gastronorm racking kit 1/1 GN / 4 position / 900mm Cabinet Base Accommodates 1 or 2 Racking Kits | £170.00

STANDARD PLATE SUPPLIED | Smooth machined finish mild steel plate PGH920



900mm GAS GRIDDLE | LEG STAND



GP516-LS		23	£2,650.00
-----------------	--	----	-----------

GP516-LS

STANDARD PLATE SUPPLIED | Smooth machined finish mild steel plate PGH920

Choice of griddle surfaces: Simply order the optional griddle plate model number and unit is supplied with your nominated surface. View options page 30.

GAS GRIDDLES

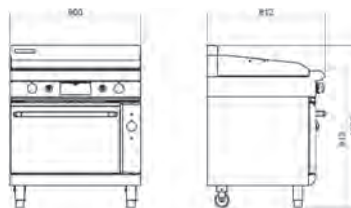


GP516-RB

Model	Dimensions	Gas Power kW	Price (exc. VAT)
900mm GAS GRIDDLE		REFRIGERATED BASE, 2 x 1/1 GN DRAWERS	

GP516-RB 23 **£4,900.00**

(RB) Electrical requirements:
0.5kW, 220-240Vac,
50Hz, 1P+N+E, 1.8A,
3 pin 13A plug cordset fitted



STANDARD PLATE SUPPLIED Smooth machined finish mild steel plate PGH920

OPTIONAL EXTRAS 900mm GRIDDLE PLATE SURFACES – CHROMED/RIBBED

PGH920C*	900mm x 20mm Heavy-duty griddle plate – chromed	£2,000.00
PGH920R3*	900mm x 20mm Heavy-duty griddle plate – ribbed 300RH	£1,975.00
PGH920R3C*	900mm x 20mm Heavy-duty griddle plate – ribbed 300RH chromed	£2,050.00
PGH920R5*	900mm x 20mm Heavy-duty griddle plate – ribbed 450RH	£2,075.00
PGH920R9*	900mm x 20mm Heavy-duty griddle plate – ribbed full	£2,050.00
PGH920R5C*	900mm x 20mm Heavy-duty griddle plate – 450RH chromed	£2,100.00

Note: The standard plate is not included when ordering an optional griddle plate surface.
*Options must be specified at the placement of order.

1200mm GAS GRIDDLE BENCH MODEL

GP518-B 31 **£3,400.00**

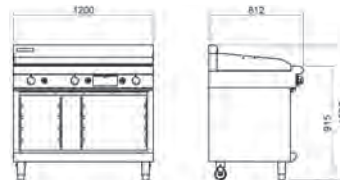


GP518-B

STANDARD PLATE SUPPLIED Smooth machined finish mild steel plate PGH1220

1200mm GAS GRIDDLE CABINET BASE (RACKING KIT NOT INCLUDED)

GP518-CB 31 **£3,800.00**



OPTIONAL 228791 **Gastronorm racking kit 1/1 GN / 4 position / 1200mm Cabinet Base Accommodates 1 or 2 Racking Kits** **£170.00**

GP518-CB

STANDARD PLATE SUPPLIED Smooth machined finish mild steel plate PGH1220

Choice of griddle surfaces: Simply order the optional griddle plate model number and unit is supplied with your nominated surface. View options page 31.
Note: The standard plate is not included when ordering an optional griddle plate surface.

GAS GRIDDLES

Model	Dimensions	Gas Power kW	Price (exc. VAT)
-------	------------	--------------	------------------

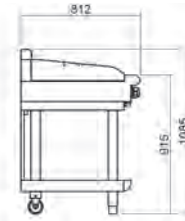
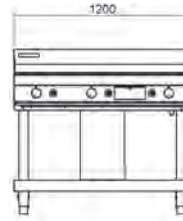


GP518-LS

1200mm GAS GRIDDLE | LEG STAND



GP518-LS



31

£3,500.00

STANDARD PLATE SUPPLIED

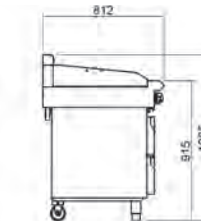
Smooth machined finish mild steel plate PGH1220

1200mm GAS GRIDDLE | REFRIGERATED BASE, 2 x 1/1 GN DRAWERS / 1 x 1/1 GN DOOR



GP518-RB

Electrical requirements:
220-240Vac,
50Hz, 1P+N+E, 1.8A,
3 pin 13A plug cordset fitted



31

£5,675.00

STANDARD PLATE SUPPLIED

Smooth machined finish mild steel plate PGH1220

OPTIONAL EXTRAS | 1200mm GRIDDLE PLATE SURFACES – CHROMED/RIBBED

PGH1220C*	1200mm x 20mm Heavy-duty griddle plate – chromed	£2,575.00
PGH1220R4*	1200mm x 20mm Heavy-duty griddle plate – ribbed 400RH	£2,450.00
PGH1220R4C*	1200mm x 20mm Heavy-duty griddle plate – ribbed 400RH chromed	£2,450.00
PGH1220R6*	1200mm x 20mm Heavy-duty griddle plate – ribbed 600RH	£2,900.00
PGH1220R12*	1200mm x 20mm Heavy-duty griddle plate – ribbed full	£2,450.00

Note: The standard plate is not included when ordering an optional griddle plate surface.

*Options must be specified at the placement of order.

ELECTRIC GRIDDLES

Model	Dimensions	Price (exc. VAT)
-------	------------	------------------

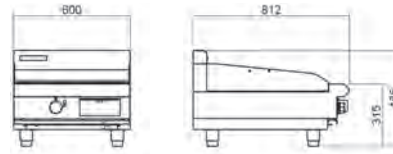


600mm ELECTRIC GRIDDLE | BENCH MODEL



EP514-B

Electrical requirements:
7.2kW, 230-240Vac, 50/60Hz,
1P+N+E, 30A



£2,250.00

EP514-B

STANDARD PLATE SUPPLIED | Smooth machined finish mild steel plate PEH620

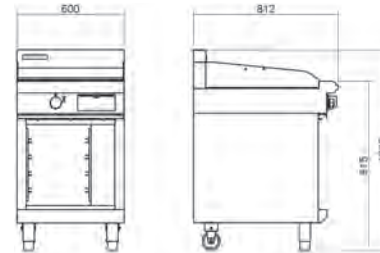


600mm ELECTRIC GRIDDLE | CABINET BASE (RACKING KIT NOT INCLUDED)



EP514-CB

Electrical requirements:
7.2kW, 230-240Vac, 50/60Hz,
1P+N+E, 30A



£2,450.00

EP514-CB

OPTIONAL | 228791 Gastronorm racking kit 1/1 GN / 4 position | £170.00

STANDARD PLATE SUPPLIED | Smooth machined finish mild steel plate PEH620

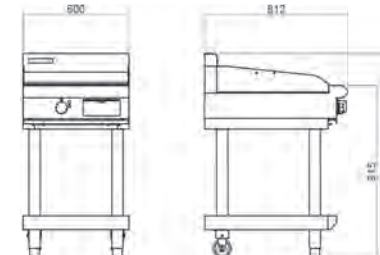


600mm ELECTRIC GRIDDLE | LEG STAND



EP514-LS

Electrical requirements:
7.2kW, 230-240Vac, 50/60Hz,
1P+N+E, 30A



£2,350.00

EP514-LS

STANDARD PLATE SUPPLIED | Smooth machined finish mild steel plate PEH620




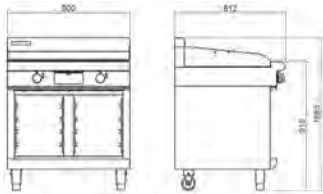

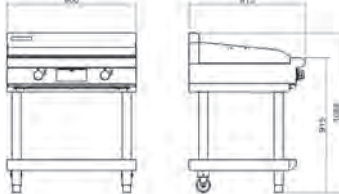

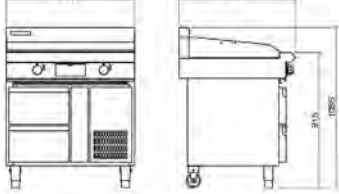
OPTIONAL | 600mm GRIDDLE PLATE SURFACES - CHROMED/RIBBED

PEH620C*	600mm x 20mm Heavy-duty griddle plate – chromed	£1,675.00
PEH620R3C*	600mm x 20mm Heavy-duty griddle plate – ribbed 300RH chromed	£1,700.00
PEH620R6*	600mm x 20mm Heavy-duty griddle plate – ribbed full	£1,425.00
PEH620R6C*	600mm x 20mm Heavy-duty griddle plate – ribbed full chromed	£1,525.00

Note: The standard plate is not included when ordering an optional griddle plate surface.
*Options must be specified at the placement of order.

Choice of griddle surfaces: Simply order the optional griddle plate model number and unit is supplied with your nominated surface. View options above.

ELECTRIC GRIDDLES

Model	Dimensions	Price (exc. VAT)
900mm ELECTRIC GRIDDLE BENCH MODEL		
 <p>EP516-B</p> <p>Electrical requirements: 12kW, 400-415Vac, 50/60Hz, 3P+N+E, 17A</p>		<p>£2,625.00</p>
STANDARD PLATE SUPPLIED Smooth machined finish mild steel plate PEH920		
900mm ELECTRIC GRIDDLE CABINET BASE (RACKING KIT NOT INCLUDED)		
 <p>EP516-CB</p> <p>Electrical requirements: 12kW, 400-415Vac, 50/60Hz, 3P+N+E, 17A</p>		<p>£2,900.00</p>
OPTIONAL 228791 Gastronorm racking kit 1/1 GN / 4 position / 900mm Cabinet Base Accommodates 1 or 2 Racking Kits		
STANDARD PLATE SUPPLIED Smooth machined finish mild steel plate PEH1220		
900mm ELECTRIC GRIDDLE LEG STAND		
 <p>EP516-LS</p> <p>Electrical requirements: 12kW, 400-415Vac, 50/60Hz, 3P+N+E, 25A</p>		<p>£2,850.00</p>
STANDARD PLATE SUPPLIED Smooth machined finish mild steel plate PEH920		
900mm ELECTRIC GRIDDLE REFRIGERATED BASE, 2 x 1/1 GN DRAWERS		
 <p>EP516-RB</p> <p>Electrical requirements: 12kW, 400-415Vac, 50/60Hz, 3P+N+E, 25A 3 pin 13A plug, cordset 1.8</p>		<p>£4,225.00</p>
STANDARD PLATE SUPPLIED Smooth machined finish mild steel plate PEH920		

EP516-B

EP516-CB

EP516-LS

EP516-RB

Choice of griddle surfaces: Simply order the optional griddle plate model number and unit is supplied with your nominated surface. View options page 34.

ELECTRIC GRIDDLES

Model	Dimensions	Price (exc. VAT)
OPTIONAL 900mm GRIDDLE PLATE SURFACES - CHROMED/RIBBED		
PEH920C*	900mm x 20mm Heavy-duty griddle plate – chromed	£1,875.00
PEH920R3*	900mm x 20mm Heavy-duty griddle plate – ribbed 300RH	£1,900.00
PEH920R3C*	900mm x 20mm Heavy-duty griddle plate – ribbed 300RH chromed	£2,000.00
PEH920R5*	900mm x 20mm Heavy-duty griddle plate – ribbed 450RH	£1,950.00
PEH920R9*	900mm x 20mm Heavy-duty griddle plate – ribbed full	£1,975.00

Note: The standard plate is not included when ordering an optional griddle plate surface.
*Options must be specified at the placement of order.

1200mm ELECTRIC GRIDDLE | BENCH MODEL

EP518-B

Electrical requirements:
16.2kW, 400-415Vac, 50/60Hz,
3P+N+E, 25A



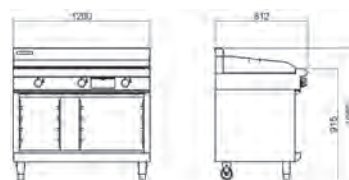
£3,200.00

STANDARD PLATE SUPPLIED | Smooth machined finish mild steel plate PEH1220

1200mm ELECTRIC GRIDDLE | CABINET BASE (RACKING KIT NOT INCLUDED)

EP518-CB

Electrical requirements:
16.2kW, 400-415Vac, 50/60Hz,
3P+N+E, 25A



£3,575.00

OPTIONAL | 228791 Gastronorm racking kit 1/1 GN / 4 position / 1200mm Cabinet Base Accommodates 1 or 2 Racking Kits £170.00

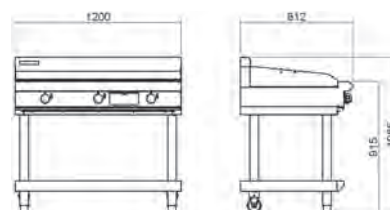
STANDARD PLATE SUPPLIED | Smooth machined finish mild steel plate PEH1220



1200mm ELECTRIC GRIDDLE | LEG STAND

EP518-LS

Electrical requirements:
16.2kW, 400-415Vac, 50/60Hz,
3P+N+E, 25A



£3,400.00

STANDARD PLATE SUPPLIED | Smooth machined finish mild steel plate PEH1220

EP518-LS

ELECTRIC GRIDDLES

Model	Dimensions	Price (exc. VAT)
1200mm ELECTRIC GRIDDLE		REFRIGERATED BASE, 2 x 1/1 GN DRAWERS / 1 x 1/1 GN DOOR ⚡
EP518-RB		£5,125.00
Electrical requirements: 16.2kW, 400-415Vac, 50/60Hz, 3P+N+E		

STANDARD PLATE SUPPLIED : Smooth machined finish mild steel plate PEH1220

OPTIONAL | 1200mm GRIDDLE PLATE SURFACES - CHROMED/RIBBED

PEH1220C*	1200mm x 20mm Heavy-duty griddle plate – chromed	£2,300.00
PEH1220R4C*	1200mm x 20mm Heavy-duty griddle plate – ribbed 400RH chromed	£2,325.00
PEH1220R12*	1200mm x 20mm Heavy-duty griddle plate – ribbed full	£2,000.00

Note: The standard plate is not included when ordering an optional griddle plate surface.
 *Options must be specified at the placement of order.

GAS GRIDDLE OVENS

Model	Dimensions	Gas Power kW	Price (exc. VAT)
-------	------------	--------------	------------------



GPE506

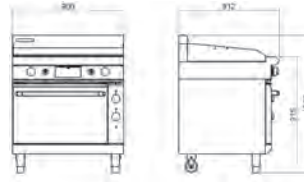
900mm GAS GRIDDLE | ELECTRIC STATIC OVEN RANGE - 2/1 GN



GPE506

Electrical requirements:

6.5kW, 230-240Vac, 50/60Hz,
1P+N+E, 27A standard or 6.5kW,
400-415Vac, 50/60Hz,
3P+N+E, 10A



23

£3,775.00

STANDARD PLATE SUPPLIED

Smooth machined finish mild steel plate PGH920



GPE56

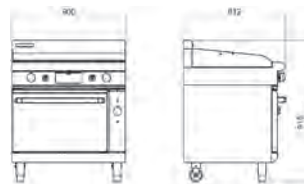
900mm GAS GRIDDLE | ELECTRIC CONVECTION OVEN RANGE - 2/1 GN



GPE56

Electrical requirements:

6.5kW, 230-240Vac, 50/60Hz,
1P+N+E, 27.7A standard or 6.6kW,
400-415Vac, 50/60Hz,
3P+N+E, 10A



23

£4,150.00

STANDARD PLATE SUPPLIED

Smooth machined finish mild steel plate PGH920

OPTIONAL | 900mm GRIDDLE PLATE SURFACES - CHROMED/RIBBED

PGH920C*	900mm x 20mm Heavy-duty griddle plate – chromed	£2,000.00
PGH920R3*	900mm x 20mm Heavy-duty griddle plate – ribbed 300RH	£1,975.00
PGH920R3C*	900mm x 20mm Heavy-duty griddle plate – ribbed 300RH chromed	£1,475.00
PGH920R5*	900mm x 20mm Heavy-duty griddle plate – ribbed 450RH	£2,075.00
PGH920R9*	900mm x 20mm Heavy-duty griddle plate – ribbed full	£2,050.00
PGH920R5C*	900mm x 20mm Heavy-duty griddle plate – 450RH chromed	£2,100.00

Note: The standard plate is not included when ordering an optional griddle plate surface.

*Options must be specified at the placement of order.


GAS GRIDDLE OVENS

Model	Dimensions	Gas Power kW	Price (exc. VAT)
-------	------------	--------------	------------------



1200mm GAS GRIDDLE | ELECTRIC STATIC OVEN RANGE – 2/1 GN



GPE508   31 £4,550.00

Electrical requirements:
6.5kW, 230-240Vac, 50/60Hz,
1P+N+E, 27A standard or
6.5kW, 400-415Vac, 50/60Hz,
3P+N+E, 10A

STANDARD PLATE SUPPLIED | Smooth machined finish mild steel plate PGH1220

GPE508



1200mm GAS GRIDDLE | ELECTRIC CONVECTION OVEN RANGE – 2/1 GN



GPE58   31 £4,950.00

Electrical requirements:
6.6kW, 230-240Vac, 50/60Hz,
1P+N+E, 27.7A standard or
6.6kW, 400-415Vac, 50/60Hz,
3P+N+E, 10A

STANDARD PLATE SUPPLIED | Smooth machined finish mild steel plate PGH1220

GPE58

OPTIONAL | 1200mm GRIDDLE PLATE SURFACES - CHROMED/RIBBED

PGH1220C*	1200mm x 20mm Heavy-duty griddle plate – chromed	£2,575.00
PGH1220R4*	1200mm x 20mm Heavy-duty griddle plate – ribbed 400RH	£2,475.00
PGH1220R4C*	1200mm x 20mm Heavy-duty griddle plate – ribbed 400RH chromed	£2,475.00
PGH1220R6*	1200mm x 20mm Heavy-duty griddle plate – ribbed 600RH	£2,900.00
PGH1220R12*	1200mm x 20mm Heavy-duty griddle plate – ribbed full	£2,450.00

OPTIONAL EXTRAS | GAS GRIDDLE / GRIDDLE OVENS

228566	Griddle scraper tool C/W blades	£45.00
228567	Smooth plate scraper blades (pack of 10 blades)	£49.00
228568	Ribbed plate scraper blade (individual blade)	£24.00
Flex3/4/51	Flexihose 3/4 (flexible quick coupling hose & tether chain)	£165.00

Note: The standard plate is not included when ordering an optional griddle plate surface.
*Options must be specified at the placement of order.

Choice of griddle surfaces: Simply order the optional griddle plate model number and unit is supplied with your nominated surface. View options above.

GAS GRIDDLE TOASTER

Model	Dimensions	Gas Power kW	Price (exc. VAT)
-------	------------	--------------	------------------



600mm | GRIDDLE TOASTER



G55T   12 £2,000.00

G55T

ELECTRIC GRIDDLE OVENS

Model	Dimensions	Price (exc. VAT)
-------	------------	------------------

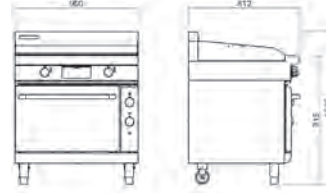


EP506

900mm ELECTRIC GRIDDLE | ELECTRIC STATIC OVEN RANGE – 2/1 GN

EP506

Electrical requirements:
18.5kW, 400-415Vac, 50/60Hz,
3P+N+E, 26A



£3,775.00

STANDARD PLATE SUPPLIED | Smooth machined finish mild steel plate PEH920

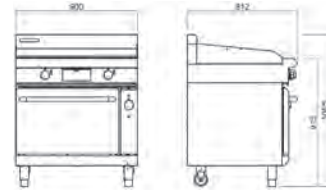


EP56

900mm ELECTRIC GRIDDLE | ELECTRIC CONVECTION OVEN RANGE – 2/1 GN

EP56

Electrical requirements:
18.6kW, 400-415Vac, 50/60Hz,
3P+N+E, 27A



£4,150.00

STANDARD PLATE SUPPLIED | Smooth machined finish mild steel plate PEH920

OPTIONAL | 900mm GRIDDLE PLATE SURFACES - CHROMED/RIBBED



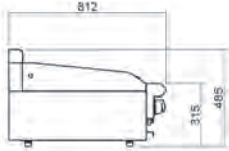

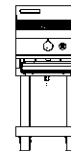
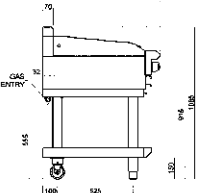


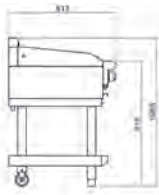


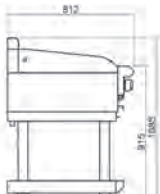
PEH920C*	900mm x 20mm Heavy-duty griddle plate – chromed	£1,1875.00
PEH920R3*	900mm x 20mm Heavy-duty griddle plate – ribbed 300RH	£1,900.00
PEH920R3C*	900mm x 20mm Heavy-duty griddle plate – ribbed 300RH chromed	£2,000.00
PEH920R5*	900mm x 20mm Heavy-duty griddle plate – ribbed 450RH	£1,950.00
PEH920R9*	900mm x 20mm Heavy-duty griddle plate – ribbed full	£1,975.00

OPTIONAL EXTRAS | ELECTRIC GRIDDLE / GRIDDLE OVENS

228566	Griddle scraper tool C/W blades	£45.00
228567	Smooth plate scraper blades (pack of 5 blades)	£49.00
228807	Mobile castor kit (set of 2 lockable)	£90.00

Note: The standard plate is not included when ordering an optional griddle plate surface.
*Options must be specified at the placement of order.

GAS CHARGRILLS

Model	Chargrill	Dimensions	Gas Power kW	Price (exc. VAT)
300mm GAS CHARGRILL BENCH MODEL				
G592-B		 	9.8	£1,100.00
G593 LS GAS CHARGRILL				
G593-LS		Dimensions: mm (w x d x h)  	14.2	£2,000.00
G593-B		450 x 812 x 585	14.2	£1,850.00
600mm GAS CHARGRILL LEG STAND				
G594-LS		Dimensions: mm (w x d x h)  	18.6	£2,200.00
G594-B		600 x 812 x 585	18.6	£2,000.00
900mm GAS CHARGRILL LEG STAND				
G596-LS		Dimensions: mm (w x d x h)  	29.3	£2,350.00
G596-B		900 x 812 x 585	29.3	£2,200.00

G592-B



G593-LS



G594-LS



G596-LS



GAS CHARGRILLS


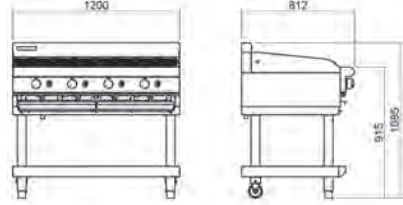
Model	Chargrill	Dimensions	Gas Power kW	Price (exc. VAT)
-------	-----------	------------	--------------	------------------



G598-LS

1200mm GAS CHARGRILL | LEG STAND



Model	Chargrill	Dimensions: mm (w x d x h)	Gas Power kW	Price (exc. VAT)
G598-LS			39.1	£2,750.00
G598-B		1200 x 812 x 585	39.1	£2,575.00



Example with drop on plate fitted.

Model	Description	Price (exc. VAT)
-------	-------------	------------------

OPTIONAL EXTRAS GAS CHARGRILLS

228787	Grate Scraper Tool	£145.00
227002	Drop on griddle plate 300mm	£95.00
227003	Drop on griddle plate 450mm	£165.00
228807	Mobile castor kit (set of 4 castors, 2 lockable)	£90.00
Flex3/4/51	Flexi hose 3/4 (flexible quick coupling hose & tether chain)	£165.00
230707	Heavy duty 12mm thick steel griddle plate 300mm	£275.00
230710	Heavy duty 12mm thick steel griddle plate 450mm	£350.00

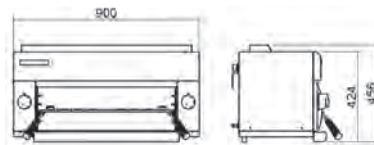
GAS AND ELECTRIC SALAMANDERS

Model	Dimensions	Gas Power kW	Price (exc. VAT)
900mm GAS SALAMANDER			



G91B

G91B
Four position racking
(flat or inclined)
includes wall mounting
bracket and branding plate



8.8 £1,225.00

OPTIONAL EXTRAS | GAS SALAMANDER

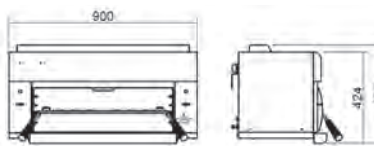
013048	100mm high feet for bench mounting (set of 4)	£70.00
013418B	Branding plate – 620 x 320mm	£165.00
BS91	Floor stand	£600.00
B90S-L	Bench stand	£1,300.00

900mm | ELECTRIC SALAMANDER



E91B

E91B
Four position racking
(flat or inclined)
Includes wall mounting
bracket and branding plate



£1,225.00

Electrical requirements:
6kW, 230-240Vac, 50/60Hz,
1P+N+E, 25A

OPTIONAL EXTRAS | ELECTRIC SALAMANDER

013048	100mm high feet for bench mounting (set of 4)	£70.00
013418B	Branding plate – 620 x 320mm	£165.00
BS91	Floor stand	£600.00
B90S-L	Bench stand	£1,300.00

QSET60 | RAPID HEAT RISE & FALL GRILL

QSE60



QSET60	600mm wide x 450mm deep x 500mm high	4	£1,825.00
QSET60 Plate detector as standard.			
QSE60	600mm wide x 450mm deep x 500mm high	4	£1,700.00
9003	Wall brackets		£125.00

QSET60/QSE60


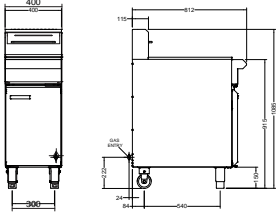

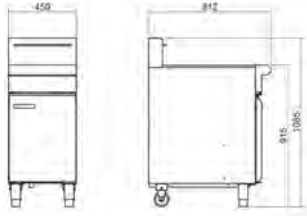

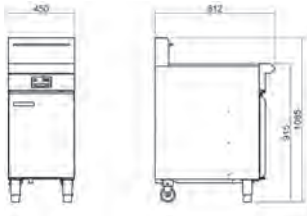

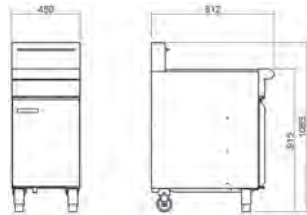

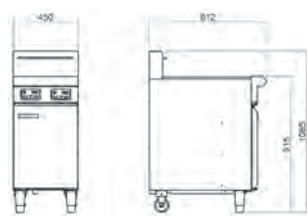
600mm | SALAMANDER BENCH

To suit QSET60/QSE60 rise and fall salamanders.

B60S-L	Leg stand	£950.00
B60S-CB	Cabinet base	£1,000.00



GAS FRYERS

Model	Dimensions	Gas Power kW	Price (exc. VAT)
 <p>400mm SINGLE PAN GAS FRYER 400mm NEW PRODUCT</p> <p>GT18 400mm wide single pan fryer Stainless steel exterior 18 litre oil capacity V- tank with cool zone Manual pilot ignition 30mm drain valve 90MJ multi- jet target burner Fully modular</p> 	25	£1,375.00	
 <p>450mm VEE RAY SINGLE PAN GAS FRYERS</p> <p>GT45 Single pan 20 Litre capacity Mechanical controls Supplied with two standard baskets</p> 	25	£2,075.00	
 <p>450mm VEE RAY SINGLE PAN GAS FRYERS</p> <p>GT45E Single pan 20 Litre capacity Digital display electronic controls Supplied with two standard baskets</p> <p>Electrical requirements: 230-240Vac, 50/60Hz, 1P+N+E, 0.5A 3 Pin 13A cordset fitted</p> 	25	£2,350.00	
 <p>450mm VEE RAY TWIN PAN GAS FRYERS</p> <p>GT46 Twin pan 13 Litre capacity each pan Mechanical controls Supplied with two standard baskets</p> 	25	£2,150.00	
 <p>450mm VEE RAY TWIN PAN GAS FRYERS</p> <p>GT46E Twin pan 13 Litre capacity each pan Digital display electronic controls Supplied with two standard baskets</p> <p>Electrical requirements: 230-240Vac, 50/60Hz, 1P+N+E, 0.5A 3 Pin 13A cordset fitted</p> 	25	£2,800.00	

GT18

GT45

GT46E

GAS FRYERS

Model	Dimensions	Gas Power kW	Price (exc. VAT)
-------	------------	--------------	------------------

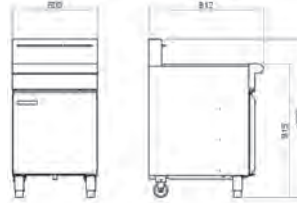


GT60E

600mm VEE RAY SINGLE PAN GAS FRYERS

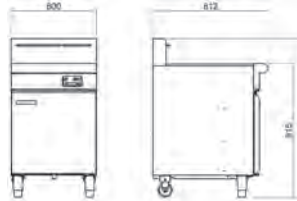


GT60
Single pan
31 Litre capacity
Mechanical controls
Supplied with two large baskets



25 £2,875.00

GT60E
Single pan
31 Litre capacity
Digital display electronic controls
Supplied with two large baskets



25 £3,250.00

Electrical requirements:
230-240Vac, 50/60Hz, 1P+N+E, 0.5A
3 Pin 13A cordset fitted

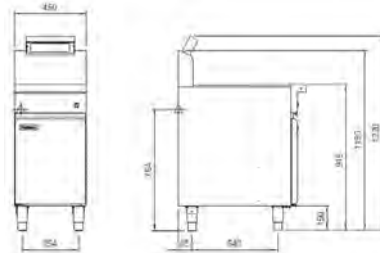


CS45E

CS45E EVOLUTION CS45 CHIP SKUTTLE WITH ELECTRIC CERAMIC HEATER



CS45E



3kW
13amp £1,050.00

OPTIONAL EXTRAS GAS FRYERS

18019



23220

018019	· Fryer baskets standard to suit GT45, GT46	£90.00
023220	· Fryer baskets large to suit GT60	£110.00
228898	· Fryer splashguards LH (all gas fryers)	£70.00
228899	· Fryer splashguards RH (all gas fryers)	£70.00
228127	· Fish plate GT45	£50.00
228565	· Fish plate GT46	£50.00
228128	· Fish plate GT60	£55.00
228761	· Fryer lift off lid GT45	£50.00
228762	· Fryer lift off lid GT60	£50.00
018176	· Fryer drain stick (all fryers)	£35.00
024705	· Fryer drain adaptor kit (allows use of 24710 drain extension) (all fryers)	£95.00
024710	· Fryer drain extension kit (to use GT45, GT46)	£140.00
228807	· Mobile castor kit (set of 2 lockable)	£90.00
Flex3/4/51	Flexihose 3/4 (flexible quick coupling hose & tether chain)	£165.00

Note: Options must be specified at the placement of order.

ELECTRIC FRYERS

Model	Dimensions	Price (exc. VAT)
-------	------------	------------------

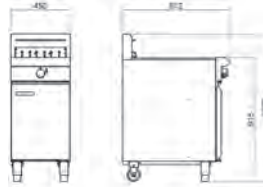
450mm SINGLE PAN ELECTRIC FRYERS



E43

E43
Single pan
27 Litre capacity
Mechanical controls
Supplied with two baskets

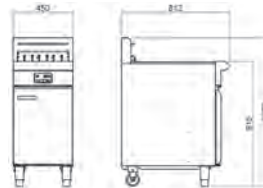
Electrical requirements:
17kW, 400-415Vac, 50/60Hz,
3P+N+E, 24A



£2,075.00

E43E
Single pan
27 Litre capacity
Digital display electronic controls
Supplied with two baskets

Electrical requirements:
17kW, 400-415Vac, 50/60Hz,
3P+N+E, 24A



£2,575.00

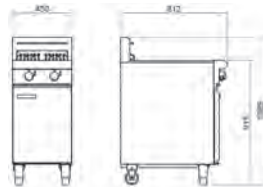
450mm TWIN PAN ELECTRIC FRYERS



E44E

E44
Twin pan
12 Litre capacity each pan
Mechanical controls
Supplied with two baskets

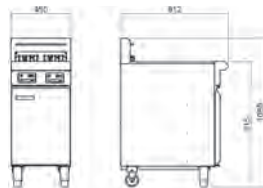
Electrical requirements:
17kW, 400-415Vac, 50/60Hz,
3P+N+E, 24A



£2,150.00

E44E
Twin pan
12 Litre capacity each pan
Digital display electronic controls
Supplied with two baskets

Electrical requirements:
17kW, 400-415Vac, 50/60Hz,
3P+N+E, 24A



£2,625.00

OPTIONAL EXTRAS ELECTRIC FRYERS



018019

018019	· Fryer baskets standard to suit E43, E44	£90.00
228898	· Fryer splashguards LH (all electric fryers)	£70.00
228899	· Fryer splashguards RH (all electric fryers)	£70.00
228761	· Fryer lift off lid E43, E44 series	£50.00
018176	· Fryer drain stick (all fryers)	£35.00
228807	· Mobile castor kit (set of 2 lockable)	£90.00

Note: Options must be specified at the placement of order.

FRYER FILTERS



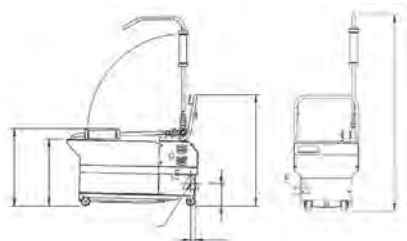
Model	Dimensions	Price (exc. VAT)
-------	------------	------------------

FILTAMAX | FRYER FILTERS



EF30 20 Litre
 Reusable Filter Bag.
 Filtamax Filter fits under
 the following: GT45, GT45E,
 GT46, GT46E

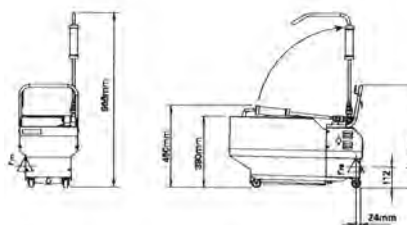
Electrical requirements:
 0.77kW, 220-240Vac, 50Hz,
 1P+N+E, 6.4A, 3 PIN, 10A
 Cordset fitted



£1,575.00

EF35 30 Litre
 Reusable Filter Bag.
 Filtamax Filter cannot be
 stored under fryers.
 E35 for use with E43, E43E,
 E44, E44E

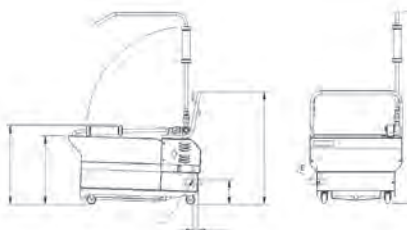
Electrical requirements:
 0.77kW, 220-240Vac, 50Hz,
 1P+N+E, 6.4A, 3 PIN, Cord-
 set fitted



£1,675.00

EF40 32 Litre
 Reusable Filter Bag.
 Filtamax Filter fits under fryer
 model, GT60, GT60E

Electrical requirements:
 0.77kW, 220-240Vac, 50Hz,
 1P+N+E, 6.4A, 3 PIN, Cord-
 set fitted



£1,975.00

OPTIONAL EXTRAS | FILTAMAX FRYER FILTERS

022815	Filter Pad Kit for Filtamax Pad Consumables Pack of 25	£150.00
020417	Flexible Filter Return Hose Arm	£575.00
SA1159	Filter extension arm fixed EF30, EF35 (for electric fryers)	£375.00

SINGLE PAN PASTA COOKERS



- High performance single pan pasta cooker
- Patented infra-red burner system
- Easy clean 316 grade stainless steel open pan
- 40 Litre water capacity
- Integrated water fill and starch skimming water faucet
- Six stainless steel pasta baskets supplied standard
- Incorporated basket drain stand
- Safety cut out thermostat for empty pan/water boil out
- Stainless steel exterior
- Easy service
- Fully modular

Model	Dimensions	Gas Power kW	Price (exc. VAT)
-------	------------	--------------	------------------

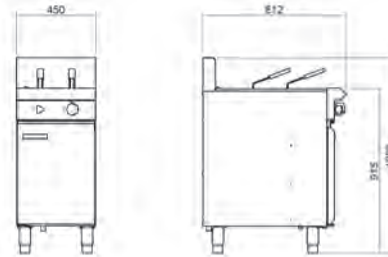
450mm | GAS PASTA COOKER



G47



G47
Single Tank
Pasta Cooker



13.5

£2,350.00

Unit comes with six portion baskets as standard.

450mm | ELECTRIC PASTA COOKERS

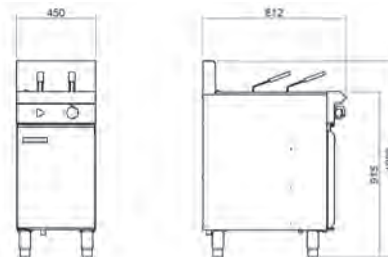


E47



E47-7
Single phase

E47
3 phase



7.0

£2,350.00

10.5

£2,350.00

Unit comes with six portion baskets as standard.

OPTIONAL EXTRAS | PASTA COOKER BASKETS



229836

229837

229836
229837

Pasta Basket W 165mm x D 165mm x H 180mm
Pasta Basket W 320mm x D 165mm x H 180mm

£100.00
£150.00

Note: Pasta Cooker Basket Combinations:








- Six Square (standard supply)
- Two square / one rectangular
- Two large rectangular

238674
238819

L Hand W 165mm x 125mm
R Hand W 165mm x 125mm

£95.00
£95.00

IN-FILL TABLES

	Model	Dimensions	Price (exc. VAT)
	300mm PROFILED IN-FILL TABLE		
BS TABLE B30-C	Stainless steel Profiled In - Fill Table complete with stub back suitable for all Blue Seal Evolution Series products.	915mm h x 812mm d x 300mm w	£525.00
	300mm PROFILED IN-FILL TABLE		
BS TABLE B30-L	Stainless steel Profiled In - Fill Table complete with stub back suitable for all Blue Seal Evolution Series products.	915mm h x 812mm d x 300mm w	£485.00
	450mm PROFILED IN-FILL TABLE		
BS TABLE B45-L	Stainless steel Profiled In - Fill Table complete with stub back suitable for all Blue Seal Evolution Series products.	915mm h x 812mm d x 450mm w	£600.00
	600mm PROFILED IN-FILL TABLE		
BS TABLE B60-L	Stainless steel Profiled In - Fill Table complete with stub back suitable for all Blue Seal Evolution Series products.	915mm h x 812mm d x 600mm w	£665.00
	900mm PROFILED IN-FILL TABLE		
BS TABLE B90-L	Stainless steel Profiled In - Fill Table complete with stub back suitable for all Blue Seal Evolution Series products.	915mm h x 812mm d x 900mm w	£765.00
	900mm PROFILED IN-FILL TABLE/REFRIGERATED BASE		
BS TABLE B90-RB	Stainless steel Profiled In - Fill Table complete with stub back suitable for all Blue Seal Evolution Series products.	915mm h x 812mm d x 900mm w Refrigerated base. 2 draw GN-sized.	£1,800.00
	900mm PROFILED IN-FILL TABLE/SALAMANDER GRILL BRACKET		
BS TABLE B90S-L	Stainless steel Profiled In - Fill Table complete with stub back suitable for all Blue Seal Evolution Series products.	915mm h x 812mm d x 900mm w Fitted with Salamander grill bracket.	£950.00



Model	Dimensions	Price (exc. VAT)
600mm	SALAMANDER BENCH	
To suit QSET60/QSE60 rise and fall salamanders.		
B60S-L Leg stand		£950.00
B60S-CB Cabinet base		£1,000.00

OPTIONAL EXTRAS FOR BLUE SEAL GAS AND ELECTRIC EQUIPMENT

Product	Model	Description	Price (exc. VAT)
OPTIONAL EXTRAS	BLUE SEAL GAS AND ELECTRIC EQUIPMENT		
COOKTOP / RANGES	230013	Bench shield, fits LH or RH of open burners	£80.00
CABINET BASES	228791	Gastronorm racking kit / cabinets standard w/o racking / 900mm / 1200mm cabinet bases £240 accommodates 1 or 2 racking kits fits 1/1 GN or 2/1 GN6	£170.00
RANGE OVENS	228106	Oven rack to suit G504, G505, G524	£55.00
	227896	Oven rack to suit G506, G508	£55.00
TARGET TOPS	014997	Casting hook	£45.00
GRIDDLES / GRIDDLE OVENS	228566	Griddle scraper tool c/w blades	£45.00
	228567	Smooth plate scraper blades (Pack of 10)	£45.00
	228568	Ribbed plate scraper blade (individual blade)	£24.00
CHARGRILLS	228787	Grate scraper tool	£145.00
	227002	Chargrill griddle plate 300mm	£95.00
	227003	Chargrill griddle plate 450mm	£160.00
SALAMANDERS	013418	Salamander branding kit / one double-sided ribbed aluminium branding plate / fits both rack system models	£160.00
	013048	100mm high feet for bench mounting (4 per salamander)	£70.00
FRYERS	018019	Fryer baskets standard to suit GT45, GT46 gas series, E43, E44	£90.00
	023220	Fryer baskets large to suit GT60, GT60-HPO	£100.00
	228898	Fryer splashguards LH (all fryers)	£70.00
	228899	Fryer splashguards RH (all fryers)	£70.00
	228127	Fish plate GT45	£50.00
	228565	Fish plate GT46	£50.00
	228128	Fish plate GT60, GT60-HPO--	£55.00
	228761	Fryer lift off lid GT45, E43, E44	£50.00
	228762	Fryer lift off lid GT60, GT60-HPO	£50.00
	018176	Fryer drain stick (all fryers)	£35.00
	024705	Fryer drain adaptor kit (allows use of 24710 drain extension) (all fryers)	£95.00
	024710	Fryer drain extension kit to use GT45, GT46, E43, E44 series with 40 litre filtamax machine	£140.00
FRYER FILTER	022815	Filter pad kit for Filtamax (upgrades Filtamax to carbon pad system)	£150.00
	020417	Filter flexible hose return arm	£575.00
	SA1559	Filter extension arm fixed EF30, EF35	£375.00
	SA1556	Filter extension arm fixed EF40	£375.00

JOINING CAPS | NOT AVAILABLE

- Cooktops Open – Griddle Toaster
- Cooktops Open – Cooktop Electric
- Cooktops Open – Cooktop Electric Griddle
- Cooktop Griddle – Cooktop Electric
- Target Top – Griddle Toaster
- Fryer Gas – Fryer Electric
- Fryer Gas – Bratt Pan
- Fryer Electric – Fryer Gas
- Fryer Electric – Bratt Pan
- Bratt Pan – Fryer Gas
- Bratt Pan – Fryer Electric
- Bratt Pan – Griddle Toaster
- Griddle Toaster – Cooktop Open
- Griddle Toaster – Target Top
- Griddle Toaster – Bratt Pan
- Griddle Toaster – Cooktop Electric
- Cooktop Electric – Cooktop Open
- Cooktop Electric – Cooktop Griddle
- Cooktop Electric – Griddle Toaster
- Cooktop Electric – Cooktop Open

JOINING CAPS FOR BLUE SEAL GAS AND ELECTRIC EQUIPMENT

Part No.	Type	Application / By Products	Notes	Price (exc. VAT)
JOINING CAPS				
FOR BLUE SEAL GAS AND ELECTRIC EQUIPMENT				
228579	C-C	Cooktops Open – Cooktops Open Cooktops Open – Chargrill Cooktops Open – Cooktop Griddle	Kit – Capping piece + 2 x levelling tabs Required if joined with griddle section	£35.00
228587	GP-CO	Griddles – Cooktops Open		£35.00
228595	TT-C	Target Top – Cooktops Open Target Tops - Chargrill Target Tops - Cooktop Griddles		£35.00
228889	TT-TT	Target Tops - Target Tops		£70.00
228890	TT-GP	Target Tops - Griddle		£70.00
228589	BP-BP	Bratt Pan – Bratt Pan		£35.00
228604	BP-C	Bratt Pan – Cooktop Open Bratt Pan - Chargrill Bratt Pan – Cooktops Electric Bratt Pan – Cooktop Griddle		£40.00
228891	BP-TT	Bratt Pan – Target Top		£70.00
228892	BP-GP	Bratt Pan – Griddle		£70.00
228893	G-G	Chargrill – Chargrill Chargrill – Cooktop Griddle Chargrill – Griddle Chargrill – Griddle Toaster Griddle Toaster – Griddle Toaster Griddle – Griddle Cooktop Griddle – Cooktop Griddle Electric Cooktop Griddle - Electric Cooktop Griddle	Type G-G Caps griddle raised sides of grills	£35.00
228894*	FG-GL	Fryer Gas – Cooktop Griddle Fryer Gas – Chargrill Caps over grill sides Fryer Gas – Griddle Fryer Gas – Griddle Toaster	FITS LH SIDE OF FRYER	£50.00
228895*	FG-GR	Fryer Gas – Cooktop Griddle Fryer Gas – Chargrill Caps over grill sides Fryer Gas – Griddle Fryer Gas – Griddle Toaster	FITS RH SIDE OF FRYER	£50.00
228896*	FE-GL	Fryer Electric – Cooktop Griddle Fryer Electric – Chargrill Fryer Electric – Griddle Fryer Electric – Griddle Toaster	FITS LH SIDE OF FRYER Caps over grill sides	£80.00
228897*	FE-GR	Fryer Electric – Cooktop Griddle Fryer Electric – Chargrill Fryer Electric – Griddle Fryer Electric – Griddle Toaster	FITS RH SIDE OF FRYER Caps over grill sides	£55.00
228600	FG-FG	Fryer Gas – Fryer Gas	Caps across 2 Tanks	£35.00
228601	FE-FE	Fryer Electric – Fryer Electric	Caps across 2 Tanks	£70.00
247924	FE-FE	E44-E44 only	Caps across 2 Tanks	£90.00

NOTE: PRODUCT GROUPS NOTED IN APPLICATION BY PRODUCT (PAIRS) CAN BE LOCATED WITH THE EXCEPTION OF JOINING CAPS MARKED * ARE DEDICATED LEFT OR RIGHT HAND SIDE FIT.

COBRA® - MEDIUM DUTY MODULAR COOKING EQUIPMENT

Model	Hob Options	Dimensions	Gas kW / BTU	Price (exc. VAT)
-------	-------------	------------	--------------	------------------

GAS COOKTOPS



C6D-B

600mm GAS COOKTOPS

4 BURNER BENCH MODEL

C6D-B 4 Open burners, bench model			20	£975.00
C6C-B 2 Open burners, LH side, 300mm Griddle plate, RH side, bench model			75,790	
C6B-B 600mm Griddle plate, bench model			15	£1,100.00
			56,840	
			10	£1,250.00
			37,890	

Note: Flame failure standard on open burners.



C6D

600mm GAS COOKTOPS

4 BURNER OPEN CABINET BASE

C6D 4 Open burners, open cabinet base under			20	£975.00
C6C 2 Open burners, LH side, 300mm Griddle plate, RH side, open cabinet base under			75,790	
C6B 600mm Griddle plate, open cabinet base under			15	£1,250.00
			56,840	
			10	£1,400.00
			37,890	

Note: Flame failure standard on open burners.



C9D-B

900mm GAS COOKTOPS

6 BURNER BENCH MODEL

C9D-B 6 Open burners, bench model			30	£1,125.00
C9C-B 4 Open burners, LH side, 300mm Griddle plate, RH side, bench model			113,680	
C9B-B 2 Open burners, LH side, 600mm Griddle plate, bench model			25	£1,275.00
C9A-B 900mm Griddle plate, bench model			94,730	
			20	£1,400.00
			75,790	
			15	£1,550.00
			56,840	

Note: Flame failure standard on open burners.

GAS COOKTOPS & RANGES

Model	Hob Options	Dimensions	Gas kW / BTU	Price (exc. VAT)
-------	-------------	------------	--------------	------------------

GAS COOKTOPS

900mm GAS COOKTOPS | 6 BURNER OPEN CABINET BASE



C9B

C9D
6 Open burners,
open cabinet base under



30 £1,225.00

113,680

C9C
4 Open burners, LH side,
300mm griddle plate,
RH side, open cabinet
base under



25 £1,375.00

94,730

C9B
2 Open burners, LH side,
600mm griddle plate,
RH side, open cabinet
base under



20 £1,525.00

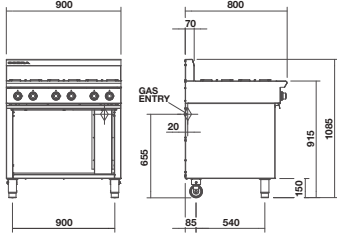
75,790

C9A
900mm Griddle plate,
open cabinet base under



15 £1,675.00

56,840



Note: Flame failure standard on open burners.

GAS RANGES

600mm GAS RANGES | GAS STATIC OVEN RANGE



CR6D

CR6D
4 Open burners,
static oven under



26.5 £1,275.00

100,415

CR6C
2 Open burners,
300mm griddle plate,
static oven under



88 £1,425.00

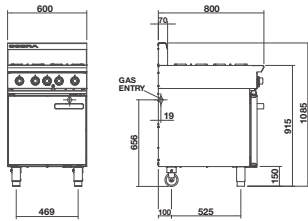
81,470

CR6B
600mm Griddle plate,
static oven under



64 £1,575.00

65,525



Note: Flame failure standard on open burners.

COBRA® - MEDIUM DUTY MODULAR COOKING EQUIPMENT

Model	Hob Options	Dimensions	Gas kW / BTU	Price (exc. VAT)
-------	-------------	------------	--------------	------------------

GAS RANGES

900mm GAS RANGES

GAS STATIC OVEN RANGE - 2/1 GN



CR9C

CR9D

6 Open burners, 2/1 GN, static oven under



37.5

£14000.00

142,100

CR9C

4 Open burners 300mm griddle plate, 2/1 GN, static oven under



32.5

£1,700.00

123,150

CR9B

2 Open burners 600mm griddle plate, 2/1 GN, static oven under



27.5

£1,850.00

104,200

CR9A

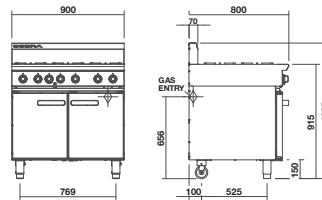
900mm Griddle plate, 2/1 GN, static oven under



22.5

£1,975.00

85,260



Note: Flame failure standard on open burners.

OPTIONAL EXTRAS – GAS RANGES

233954	Oven rack to suit 600mm oven range	£35.00
230556	Oven rack to suit 900mm oven range	£45.00
UKCSP4	Plate shelf and splashback to suit 600mm oven range	£450.00
UKCSP6	Splashback, overshelf and grill shelf to suit 900mm oven range	£450.00

GAS BARBECUES



CB6-B

600mm GAS BARBECUE

BENCH MODEL

CB6-B

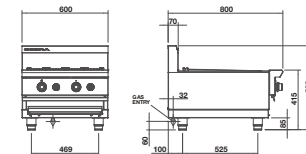
600mm BBQ, bench model



18

£1,125.00

68,200



600mm GAS BARBECUE

OPEN CABINET BASE



CB6

CB6

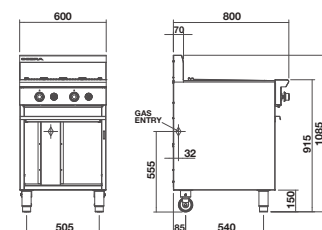
600mm BBQ, mounted on open cabinet base



18

£1,225.00

68,200



GAS RANGES, BARBECUES, SALAMANDER & GRIDDLE TOASTERS

Model	Hob Options	Dimensions	Gas kW / BTU	Price (exc. VAT)
-------	-------------	------------	--------------	------------------

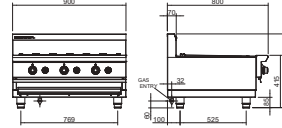
GAS BARBECUES



900mm GAS BARBECUE | BENCH MODEL



CB9-B
900mm BBQ, bench model



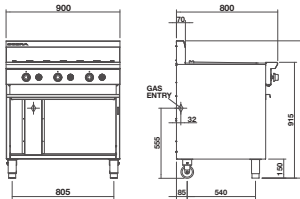
27
102,310
£1,375.00

CB9-B

900mm GAS BARBECUE | OPEN CABINET BASE



CB9
900mm BBQ, mounted on open cabinet base



27
102,310
£1,500.00

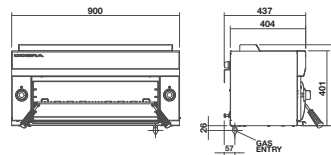
CB9

GAS SALAMANDER

900mm GAS SALAMANDER



CS9
Four position racking (flat or inclined)



8.8
33,350
£975.00

CS9

OPTIONAL EXTRAS – SALAMANDER

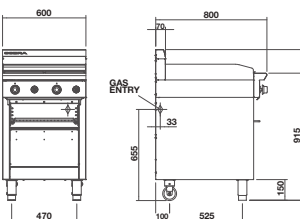
013048	100mm high feet for bench mounting (set of 4)	£70.00
013418B	Branding plate - 620 x 320mm	£160.00

GAS GRIDDLE TOASTERS

600mm GAS GRIDDLE TOASTER



CT6
600mm Griddle, toaster compartment



11
41,700
£1,325.00

CT6

COBRA® - MEDIUM DUTY MODULAR COOKING EQUIPMENT

Model	Hob Options	Dimensions	Gas kW / BTU	Price (exc. VAT)
-------	-------------	------------	--------------	------------------

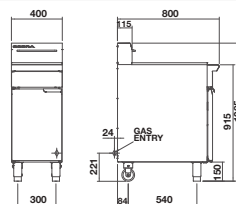
GAS FRYER

400mm GAS FRYER

SINGLE PAN



CF2
18 Litre oil capacity,
mechanical thermostat
25kg / hr production rate
supplied with baskets & lid



25
85,250

£1,025.00

CF2

OPTIONAL EXTRAS – GAS FRYER

237427	Fish plate	£35.00
237306	Joining cap	£35.00
237307	Splashguard LH 400FG-XL – general splashguard to fit side of fryer	£70.00
237308	Splashguard RH 400FG-XR – general splashguard to fit side of fryer	£70.00
237310	Splashguard LH 400FG-GL – splashguard to join fryer to cooktop griddles / barbecue / griddle toaster	£70.00
237311	Splashguard RH 400FG-GR – splashguard to join fryer to cooktop griddles / barbecue / griddle toaster	£70.00

GAS GRIDDLE TOASTERS, FRYER & COOKERS

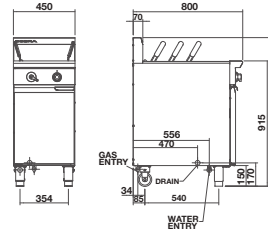
Model	Hob Options	Dimensions	Gas kW / BTU	Price (exc. VAT)
-------	-------------	------------	--------------	------------------

GAS PASTA COOKER

450mm PASTA COOKER | SINGLE PAN



CP4
40 Litre water capacity, mechanical thermostat patented infra-red burner system, 6 stainless steel pasta baskets included



12
45,450
£2,300.00

CP4

OPTIONAL EXTRAS – GAS PASTA COOKER

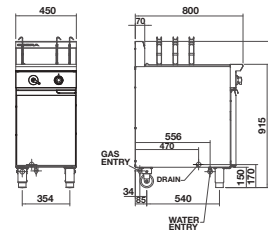
238674	Pasta basket LH – 165mm x 165mm x 180mm	£95.00
238819	Pasta basket RH – 165mm x 165mm x 180mm	£95.00
240516	Conversion kit for gas noodle kit includes basket support tray and 5 noodle baskets	£225.00

GAS NOODLE COOKER

450mm NOODLE COOKER | SINGLE PAN



CN4
40 Litre water capacity, mechanical thermostat patented infra-red burner system, 5 stainless steel noodle baskets included



12
45,450
£2,300.00

CN4

OPTIONAL EXTRAS – GAS NOODLE COOKER

240507	Noodle basket	£40.00
--------	---------------	--------

COBRA® - MEDIUM DUTY MODULAR COOKING EQUIPMENT

Model	Dimensions	Price (exc. VAT)
-------	------------	------------------

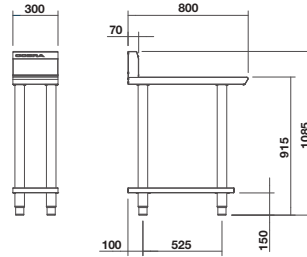
INFILL BENCHES

300mm INFILL BENCH

LEG STAND



C300
300mm Infill bench
with leg stand



£525.00

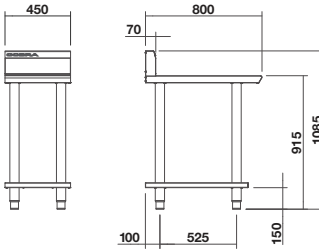
C300

450mm INFILL BENCH

LEG STAND



C450
450mm Infill bench
with leg stand



£600.00

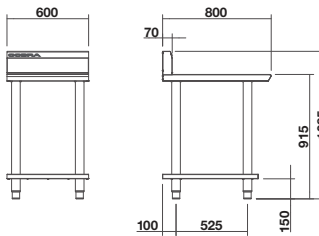
C450

600mm INFILL BENCH

LEG STAND



C600
600mm Infill bench
with leg stand



£700.00

C600

INFILL BENCHES

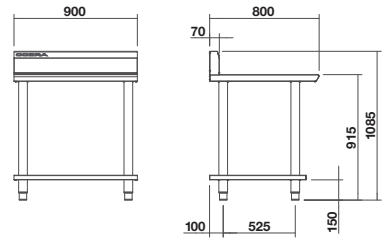
Model	Dimensions	Price (exc. VAT)
-------	------------	------------------

900mm INFILL BENCH

LEG STAND



C900
900mm Infill bench
with leg stand



£775.00

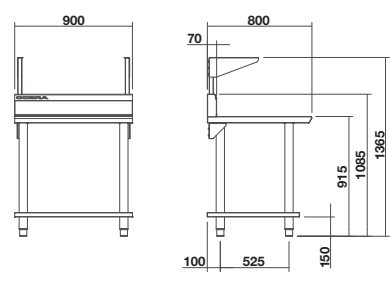
C900

900mm INFILL BENCH

LEG STAND WITH SALAMANDER SUPPORT



C900S
900mm Infill bench with salamander
support on leg stand



£1,125.00

C900S

turbofan[®]

TODAY'S INNOVATIVE, EASY TO USE TURBOFAN RANGE HAS BEEN DESIGNED AND MANUFACTURED TO THE HIGHEST SPECIFICATION AND CONTINUES TO PROVIDE A CLASS LEADING SOLUTION FOR EVERY KIND OF CATERING LOCATION. THESE EASY TO USE OVENS HAVE BEEN DESIGNED WITH A CLEAR UNDERSTANDING OF OUR CUSTOMERS NEEDS AND THE CHANGING DEMANDS OF THE CATERING INDUSTRY. DELIVERING OUTSTANDING COOKING, BAKING AND ROASTING PERFORMANCE, USING IMPROVED BI-DIRECTIONAL FAN SYSTEMS THAT ACHIEVE BETTER THAN EVER RESULTS

FEATURES...

- SPACE SAVING EFFICIENCY
- BI-DIRECTIONAL FAN SYSTEM
- DUAL BI-DIRECTIONAL FAN SYSTEM
- MORE OVENS, MORE APPLICATIONS
- PORTABLE COOKING
- FIELD REVERSIBLE SIDE HINGED DOORS
- SAFE TOUCH VENTED OVEN DOORS
- TOUCH SCREE MODULE
- DIGITAL CONTROL MODELS
- MARKET LEADING TRAY SPACING
- HALOGEN OVEN LAMPS
- MOISTURE INJECTION
- GRILL MODE
- SAFE TOUCH VENTED OVEN DOORS
- VITREOUS ENAMELLED OVEN CHAMBER

WWW.BLUE-SEAL.CO.UK

30DSERIES



The ultimate in commercial convection ovens - ideal for baking, roasting and holding.

PSERIES



Our upgraded range of easy to use Provers/ Holding Cabinets, are smart in design and even smarter in engineering, The eight or twelve tray units come with an auto-fill humidity generator and holding cabinet function mode as standard.

TSERIES



HSERIES



INNOVATIVE FEATURES... IN A CLASS OF ITS OWN.

20SERIES

Dimensions / Power
(w x d x h)

Options

kw

Price (exc. VAT)



E22T tray 460x330mm £45.00

E22M3

MANUAL ELECTRIC CONVECTION OVEN

Rack capacity: 3
610mm x 608mm x 552mm
Electrical requirements:
230-240V, 50/60Hz,
1 Phase+N+E, 2.1kW, 9A
10A cordset supplied

3 x 460mm x 330mm half size sheet pan capacity 2.1
3 x 2/3 GN pan capacity
70mm Tray spacing
Compact 610mm width
3 Oven wire racks supplied
Single direction low-velocity fan
Double Stacking Kit DSK2223C

£975.00

£650.00



SK23 STAND £650.00
Stainless steel stand with castors
W 610mm x D 530mm x H 880mm



E22T tray 460x330mm £45.00

E23M3

MANUAL ELECTRIC CONVECTION OVEN

Rack capacity: 3
610mm x 642mm x 607mm
Electrical requirements:
230-240V, 50/60Hz,
1 Phase+N+E, 3.0kW, 12A
13A cordset fitted

3 x 460mm x 330mm half size sheet pan capacity 3.0
3 x 2/3 GN pan capacity
85mm Tray spacing
Compact 610mm width
3 Oven wire racks supplied
Bi-directional reversing fan system
Double Stacking Kit DSK2223C

£1,100.00

£650.00



SK23 STAND £650.00
Stainless steel stand with castors
W 610mm x D 530mm x H 880mm



E22T tray 460x330mm £45.00

E23D3

DIGITAL ELECTRIC CONVECTION OVEN

Rack capacity: 3
610mm x 642mm x 607mm
Electrical requirements:
230-240V, 50/60Hz,
1 Phase+N+E, 3.0kW, 12A
13A cordset fitted

3 x 460mm x 330mm half size sheet pan capacity 3.0
3 x 2/3 GN pan capacity
85mm Tray spacing
Compact 610mm width
3 Oven wire racks supplied
Bi-directional reversing fan system
Double Stacking Kit DSK2223C
Steam injection

£1,175.00

£650.00



SK23 STAND £650.00
Stainless steel stand with castors
W 610mm x D 530mm x H 880mm



E311GAST tray 1/1GN 20mm deep £45.00
E27FT tray 400x600mm £45.00
E32UST tray 460x660mm £45.00

E27M2

MANUAL ELECTRIC CONVECTION OVEN

Rack capacity: 2
810mm x 762mm x 607mm
Electrical requirements:
230-240V, 50/60Hz,
1 Phase+N+E, 3.0kW, 12A
13A cordset supplied

2 x 460mm x 660mm full size sheet pan capacity 3.0
2 x 600mm x 400mm tray capacity
85mm Tray spacing
Compact 810mm width
2 Oven wire racks supplied
Bi-directional reversing fan system
Double Stacking Kit DSK272831C

£1,275.00

£650.00



SK2731N STAND £650.00
Stainless steel stand with castors
Suits 600mm x 400mm trays and 1/1 GN pans
W 810mm x D 650mm x H 880mm



SK2731U STAND £650.00
Stainless steel stand with castors
Suits 660mm x 460mm pans
W 810mm x D 650mm x H 880mm

Dimensions / Power
(w x d x h)

Options

kw

Price (exc. VAT)

E27D2

DIGITAL ELECTRIC CONVECTION OVEN



Rack capacity: 2
810mm x 762mm x 607mm
Electrical requirements:
230-240V, 50/60Hz,
1 Phase+N+E, 3.0kW, 12A
13A cordset supplied

2 x 460mm x 660mm full size sheet pan capacity 3.0
2 x 600mm x 400mm tray capacity
115mm Tray spacing
Compact 810mm width
2 Oven wire racks supplied
Bi-directional reversing fan system
Double Stacking Kit DSK272831C
Steam injection

£1,350.00

£650.00

E311GAST tray 1/1GN 20mm deep £45.00
E27FT tray 400x600mm £45.00
E32UST tray 460x660mm £45.00



SK2731N STAND £650.00
Stainless steel stand with castors
Suits 600mm x 400mm trays and 1/1 GN pans
W 810mm x D 650mm x H 880mm



SK2731U STAND £650.00
Stainless steel stand with castors
Suits 660mm x 460mm pans
W 810mm x D 650mm x H 880mm



E27M3

MANUAL ELECTRIC CONVECTION OVEN



Rack capacity: 3
810mm x 762mm x 607mm
Electrical requirements:
230-240V, 50/60Hz,
1 Phase+N+E, 4.7kW, 19.6A
No cordset supplied

3 x 460mm x 660mm full size sheet pan capacity 4.7
3 x 600mm x 400mm tray capacity
85mm Tray spacing
Compact 810mm width
3 Oven wire racks supplied
Bi-directional reversing fan system
Double Stacking Kit DSK272831C

£1,450.00

£650.00

E311GAST tray 1/1GN 20mm deep £45.00
E27FT tray 400x600mm £45.00
E32UST tray 460x660mm £45.00



SK2731N STAND £650.00
Stainless steel stand with castors
Suits 600mm x 400mm trays and 1/1 GN pans
W 810mm x D 650mm x H 880mm



SK2731U STAND £650.00
Stainless steel stand with castors
Suits 660mm x 460mm pans
W 810mm x D 650mm x H 880mm



E27D3

DIGITAL ELECTRIC CONVECTION OVEN



Rack capacity: 3
810mm x 762mm x 607mm
Electrical requirements:
230-240V, 50/60Hz,
1 Phase+N+E, 4.7kW, 19.6A
No cordset supplied

3 x 460mm x 660mm full size sheet pan capacity 4.7
3 x 600mm x 400mm tray capacity
85mm Tray spacing
Compact 810mm width
3 Oven wire racks supplied
Bi-directional reversing fan system
Double Stacking Kit DSK272831C
Steam injection

£1,500.00

£650.00

E311GAST tray 1/1GN 20mm deep £45.00
E27FT tray 400x600mm £45.00
E32UST tray 460x660mm £45.00



SK2731N STAND £650.00
Stainless steel stand with castors
Suits 600mm x 400mm trays and 1/1 GN pans
W 810mm x D 650mm x H 880mm



SK2731U STAND £650.00
Stainless steel stand with castors
Suits 660mm x 460mm pans
W 810mm x D 650mm x H 880mm



E28M4

MANUAL ELECTRIC CONVECTION OVEN



Rack capacity: 4
810mm x 762mm x 662mm
Electrical requirements:
230-240V, 50/60Hz,
1 Phase+N+E, 5.8kW, 25A
No cordset supplied

4 x 460mm x 660mm full size sheet pan capacity 5.8
4 x 600mm x 400mm tray capacity
80mm Tray spacing
Compact 810mm width
4 Oven wire racks supplied
Twin Bi-directional reversing fans
Double Stacking Kit DSK272831C

£1,950.00

£650.00

E311GAST tray 1/1GN 20mm deep £45.00
E27FT tray 400x600mm £45.00
E32UST tray 460x660mm £45.00



SK2731N STAND £650.00
Stainless steel stand with castors
Suits 600mm x 400mm trays and 1/1 GN pans
W 810mm x D 650mm x H 880mm



SK2731U STAND £650.00
Stainless steel stand with castors
Suits 660mm x 460mm pans
W 810mm x D 650mm x H 880mm



Dimensions / Power
(w x d x h)

Options

kw

Price (exc. VAT)

E28D4 | DIGITAL ELECTRIC CONVECTION OVEN

Rack capacity: 4
810mm x 762mm x 662mm
Electrical requirements:
230-240V, 50/60Hz,
1 Phase+N+E, 5.8kW, 25A
No cordset supplied

4 x 460mm x 660mm full size sheet pan capacity 5.6
4 x 600mm x 400mm tray capacity
80mm Tray spacing
Compact 810mm width
4 Oven wire racks supplied
Twin Bi-directional reversing fans
Double Stacking Kit DSK272831C
Steam injection

£2,100.00

£650.00

E311GAST tray 1/1GN 20mm deep £45.00
E27FT tray 400x600mm £45.00
E32UST tray 460x660mm £45.00



SK2731N STAND £650.00
Stainless steel stand with castors
Suits 600mm x 400mm trays and 1/1 GN pans
W 810mm x D 650mm x H 880mm



SK2731U STAND £650.00
Stainless steel stand with castors
Suits 660mm x 460mm pans
W 810mm x D 650mm x H 880mm



E931M | ELECTRIC CONVECTION OVEN & 4 ELEMENT COOKTOP

675mm x 626mm x 800mm
Cooktop
Single phase
2 x 2kW front and 2 x 1.5kW
rear hot plate elements.

7

£2,275.00

Convection Oven
Rack capacity: 4
Electrical requirements:
230-240V, 50/60Hz,
1 Phase+N+E, 3.1kW, 12.9A
13A cordset supplied

4 x 1/1 GN tray capacity
80mm Tray spacing
Digital display time and temperature controls
4 Oven wire racks supplied
Single directional low-velocity fan
* Two separate electrical supplies

3.0

30SERIES



E30M3 | MANUAL ELECTRIC CONVECTION OVEN

Rack capacity: 3
810mm x 616mm x 625mm
Electrical requirements:
230-240V, 50/60Hz,
1 Phase+N+E, 2.3kW, 9.5A
13A cordset supplied

3 x 1/1 GN tray capacity
100mm Tray spacing
Analogue time and temperature controls
3 Oven wire racks supplied
Single directional low-velocity fan
Double Stacking Kit DSK272831C

2.3

£1,050.00

£650.00

E311GAST tray 1/1GN 20mm deep £45.00



SK2731N STAND £650.00
Stainless steel stand with castors 1/1
GN pans
W 810mm x D 650mm x H 880mm



E31D4 | DIGITAL ELECTRIC CONVECTION OVEN

Rack capacity: 4
810mm x 616mm x 625mm
Electrical requirements:
230-240V, 50/60Hz,
1 Phase+N+E, 3.1kW, 12.9A
13A cordset supplied

4 x 1/1 GN tray capacity
80mm Tray spacing
Digital display time and temperature controls
Grill mode
4 Oven wire racks supplied
Single directional low-velocity fan
Double Stacking Kit DSK272831C

3.1

£1,475.00

£650.00

E311GAST tray 1/1GN 20mm deep £45.00



SK2731N STAND £650.00
Stainless steel stand with castors 1/1
GN pans
W 810mm x D 650mm x H 880mm



Dimensions / Power (w x d x h)	Options	kw	Price (exc. VAT)
E33D5 DIGITAL CONVECTION OVEN			
Rack capacity: 5 610mm x 680mm x 730mm	5 x 1/1 GN Tray capacity 85mm Tray spacing Digital time and temperature controls	6	£2,200.00
Electrical requirements: 230-240V, 50Hz, 1 Phase+N+E, 6kW, 25.7A No cordset supplied	Bi-directional fan 2 speed fan 3 stage cooking function 5 levels of humidity Optional core temp probe Double Stacking Kit DSK33C Oven racks not supplied		£195.00 £650.00
		SK33 STAND	£650.00
		Stainless steel stand with castors W 610mm x D 650mm x H 880mm	
E311GAST tray 1/1GN 20mm deep			£45.00
Oven rack p/no. 236057			£40.00
240550 Heat Shield			£175.00



Dimensions / Power (w x d x h)	Options	kw	Price (exc. VAT)
E33T5 TOUCH SCREEN ELECTRIC CONVECTION OVEN			
Rack capacity: 5 610mm x 680mm x 730mm	5 x 1/1 GN Tray capacity 85mm Tray spacing Touch screen controls	6	£3,300.00
Electrical requirements: 230-240V, 50Hz, 1 Phase+N+E, 6kW, 25.7A No cordset supplied	Bi-directional fan 2 speed fan 3 stage cooking function 5 levels of humidity Optional core temp probe Double Stacking Kit DSK33C Oven racks not supplied		£195.00 £650.00
		SK33 STAND	£650.00
		Stainless steel stand with castors W 610mm x D 650mm x H 880mm	
E311GAST tray 1/1GN 20mm deep			£45.00
Oven rack p/no. 236057			£40.00
240550 Heat Shield			£175.00



Dimensions / Power (w x d x h)	Options	kw	Price (exc. VAT)
E32D4 DIGITAL ELECTRIC CONVECTION OVEN			
Rack capacity: 4 735mm x 810mm x 730mm	4 x 460mm x 660mm full size sheet pan capacity 4 x 600mm x 400mm tray capacity 110mm Tray spacing	6.5	£2,600.00
Electrical requirements: 230-240V, 50/60Hz, 1 Phase+N+E, 6.5kW, 27A No cordset supplied	Compact 735mm width 4 Oven wire racks supplied Bi-directional fan motor 3 stage cooking function 5 levels of humidity setting 2 speed bi-directional reversing fan system Double Stacking Kit DSKE32C Optional core temp probe Steam injection		£800.00 £195.00
		SK32 STAND	£650.00
		Stainless steel stand with castors W 735mm x D 825mm x H 880mm	
E32UST tray 460x660mm			£45.00
240466 Heat Shield			£180.00



Dimensions / Power (w x d x h)	Options	kw	Price (exc. VAT)
E32T4 TOUCH SCREEN ELECTRIC CONVECTION OVEN			
Rack capacity: 4 735mm x 810mm x 730mm	4 x 460mm x 660mm full size sheet pan capacity 4 x 600mm x 400mm tray capacity 110mm Tray spacing	6.5	£3,000.00
Electrical requirements: 230-240V, 50/60Hz, 1 Phase+N+E, 6.5kW, 27A No cordset supplied	Compact 735mm width 4 Oven wire racks supplied Bi-directional fan motor 3 stage cooking function 5 levels of humidity setting 2 speed bi-directional reversing fan system Double Stacking Kit DSKE32C Optional core temp probe Steam injection		£800.00 £195.00
		SK32 STAND	£650.00
		Stainless steel stand with castors W 735mm x D 825mm x H 880mm	
E32UST tray 460x660mm			£45.00
240466 Heat Shield			£180.00




Dimensions / Power (w x d x h)	Options	kW	Price (exc. VAT)
-----------------------------------	---------	----	------------------



G32D4 | DIGITAL GAS CONVECTION OVEN



Rack capacity: 4 735mm x 810mm x 910mm	4 x 460mm x 660mm full size sheet pan capacity 1 phase 4 x 600mm x 400mm tray capacity 110mm Tray spacing Compact 735mm width 4 Oven wire racks supplied Bi-directional fan motor Double Stacking Kit DSKG32C		£3,200.00
Electrical requirements: 230-240V, 50/60Hz, 1 Phase+N+E, 0.5A 10A cordset fitted	Steam injection Optional core temp. probe		£800.00 £195.00
Gas requirements: 35 MJ/hr burner rating. Natural, Propane/Butane models Unit supplied complete with gas type conversion kit Gas connection 1/2" NPT male 10kW equivalent gas power			
			SK32 STAND £650.00 Stainless steel stand with castors W 735mm x D 825mm x H 880mm

E32UST tray 460x660mm £45.00
240549 Heat Shield £180.00



E35D6 | FULL SIZE DIGITAL / ELECTRIC CONVECTION OVEN



W 910mm x D 1022mm x H 871mm including 76mm feet	12.5	£4,700.00
<ul style="list-style-type: none"> • 6 406mm x 736mm / 16" x 29" tray capacity • 6 457mm x 762mm / 18" x 30" tray capacity • 105mm tray spacing • 12kW heating power • Electronic controls with Digital Time and Temperature display • Optional M236060 Core Temperature Probe Kit • Stand SK35 • Stacking Kit DSK35 		£195.00 £875.00 £775.00

E35GBT tray 460x760mm £45.00

PROVER / HOLDING CABINETS

PSERIES PROVER/HOLDING CABINETS

STANDARD FEATURES

P8M / P10M / P12M

- Dual function prover and holding cabinet
- Designed for individual use or system installed with Turbofan 32D convection ovens
- Low velocity circulation fan system
- Humidity level control
- Compact 735mm width
- Full double skin construction
- Auto water fill system with optional integrated water filter kit

P8M

- 8 Full size sheet pan capacity
- 8 EN 600 x 400 tray capacity

P12M

- 12 Full size sheet pan capacity
- 12 EN 600 x 400 tray capacity

- Continuous door seal
- Side hinged door
- Off / Prove / Hold mode selection
- Mechanical thermostat 20-85°C
- Dual halogen cabinet interior lamps
- Cabinet temperature display thermometer
- 4 dia. 76mm castors with 2 front castors dual wheel and swivel lock, 2 rigid rear castors
- 100% recyclable packaging

- 16 Half size sheet pan capacity
- 76mm Tray spacing

- 24 Half size sheet pan capacity
- 74mm Tray spacing

OPTIONAL EXTRAS

234347 Filter Head Kit £200.00

This kit supplies the cartridge mounting head assembly plus all associated plumbing/fittings for installation to P12 provers. Also includes double check/pressure reducing valve and 2 metres of tubing for connection to supply.

234562 Filter Cartridge P124BN CUNO £150.00

Filter cartridge itself, for connection to above installation kit.



P8M | AUTO ELECTRIC PROVER & HOLDING CABINET



Rack capacity: 8 735mm x 810mm x 914mm	Dual function prover and holding cabinet Designed for individual use or system installed with Turbofan 32D convection ovens	1.5	£2,450.00
Electrical requirements: 230-240V, 50/60Hz, 1 Phase+N+E, 1.5kW, 6.3A 10A cordset fitted	8 Full size sheet pan capacity 16 Half size sheet pan capacity 8 EN 600 x 400 tray capacity P/No. 235445 76mm Tray spacing Compact 735mm width		£350.00
	P/No. 234841 Stacking Kit to E32D4		£120.00

turbofan® PROVER / HOLDING CABINETS



Dimensions / Power (w x d x h)	Options	kw	Price (exc. VAT)
P10M	AUTO ELECTRIC PROVER & HOLDING CABINET		
Rack capacity: 10 610mm x 680mm x 1015mm Electrical requirements: 230-240V, 50/60Hz, 1 Phase+N+E, 1.5kW, 6.3A 10A cordset supplied	Dual function prover and holding cabinet Designed for individual use or system installed with Turbofan E33D convection oven 10 1/1 GN pan capacity 74mm Tray spacing Compact 610mm width	1.5	£2,150.00
	P/No. 236617 Stacking Kit to E33D5		£120.00



Dimensions / Power (w x d x h)	Options	kw	Price (exc. VAT)
P12M	AUTO ELECTRIC PROVER & HOLDING CABINET		
Rack capacity: 12 735mm x 810mm x 1129mm Electrical requirements: 230-240V, 50/60Hz, 1 Phase+N+E, 1.9kW, 8.5A 10A cordset supplied	Dual function prover and holding cabinet Designed for individual use or system installed with Turbofan 32D convection ovens 12 Full size sheet pan capacity 24 Half size sheet pan capacity 12 EN 600 x 400 tray capacity 74mm Tray spacing Compact 735mm width	1.9	£2,700.00
	P/No. 234841 Stacking Kit to E/G32D4		£400.00
			£120.00



Dimensions / Power (w x d x h)	Options	kw	Price (exc. VAT)
P85M8	PROVER/HOLDING CABINET		
W 910mm x D 880mm x H 914mm including dia. 76mm castors • 8 457mm x 762mm / 18" x 30" tray capacity • 76mm tray spacing • 1.5kW heating power • Optional M236060 Core Temperature Probe Kit • Stacking kit 239704 P85M8 with E35D6		1.5	£2,400.00
			£195.00
			£120.00

P85M8



Dimensions / Power (w x d x h)	Options	kw	Price (exc. VAT)
P85M12	PROVER/HOLDING CABINET		
W 910mm x D 810mm x H 1129mm including dia. 76mm castors • 12 457mm x 762mm / 18" x 30" tray capacity • 74mm tray spacing • 1.9kW heating power • Optional M236060 Core Temperature Probe Kit • Stacking kit 239704 P85M12 with E35D6		1.9	£2,700.00
			£195.00
			£120.00

P85M12




turbofan® HOT HOLDING CABINETS

	MODEL	DETAILS	Gas Power kW	Price (exc. VAT)
	H8D-UC	HOLDING CABINET W 610mm x D 680mm x H 810mm • 8 x 1/1 GN tray capacity • 74mm tray spacing • 1.2kW heating power • Electronic digital control panel	1.2	£2,300.00
H8D-UC				
	H8D-FS-UC	HOLDING CABINET W 735mm x D 810mm x H 810mm • 8 full size 460mm x 660mm / 18" x 26" sheet pan capacity • 74mm tray spacing • 1.9kW heating power • Electronic digital control panel	1.9	£2,400.00
H8D-FS-UC				
	H10D-FS	HOLDING CABINET W 735mm x D 810mm x H 1015mm • 10 full size 460mm x 660mm / 18" x 26" sheet pan capacity • 74mm tray spacing • 1.9kW heating power • Electronic digital control panel	1.9	£2,500.00
H10D-FS				
	H10D	HOLDING CABINET W 610mm x D 1015mm x H 680mm • 10 1/1 GN pan capacity • 74mm tray spacing • 1.2kW heating power • Electronic digital control panel	1.2	£2,400.00
H10D				
	H10T	HOLDING CABINET W 610mm x D 1015mm x H 680mm • 10 1/1 GN pan capacity • 74mm tray spacing • 1.2kW heating power • Electronic touch sensitive control panel	1.2	£2,600.00
H10T				
	EHT10-L	TOUCH SCREEN ELECTRIC HUMIDIFIED HOLDING CABINET W 610mm x D 680mm x H 1015mm • 10 1/1 GN pan capacity • 2.3kW heating power • Electronic touch sensitive control panel	2.3	£3,150.00
EHT10-L				

OPTIONAL EXTRAS

SKEHT10	Stainless steel stand with castors (2 with swivel lock) to suit EHT10-L model W610mm x D 727mm x H 609mm	£450.00
237472	Double stacking kit to suit E33/EHT10-L models	£150.00
234347	Filter head kit This kit supplies the cartridge mounting head assembly plus all associated plumbing/fittings for installation to P8/P12/P10/P85 provers. Also includes double check/pressure reducing valve and 2 metres of tubing for connection to supply	£200.00
234562	Filter Cartridge P124BN CUNO Filter cartridge itself for connection to above installation kit	£150.00

turbofan® VENTLESS HOODS

	Model	Details	Price (exc. VAT)
 <p>VH32</p>	VH32	VENTLESS HOOD FOR E32D4/E32T4 OVENS	
		W 742mm x D 1015mm x H 340mm • 230-240V, 50/60Hz, 1 Phase+N+E, 0.5A • 10A plug cordset fitted	£3,100.00
 <p>VH33</p>	VH33	VENTLESS HOOD FOR E33D5/E33T5 OVENS	
		W 617mm x D 890mm x H 340mm • 230-240V, 50/60Hz, 1 Phase+N+E, 0.5A • 10A plug cordset fitted	£3,000.00
 <p>VH35-30</p>	VH35-30	VENTLESS HOOD FOR E35D6-30/E35T6-30 OVENS	
		W 917mm x D 1145mm x H 340mm • 230-240V, 50/60Hz, 1 Phase+N+E, 1.0A • 10A plug cordset fitted	£4,550.00

STANDARD FEATURES

- Ventless oven hood - no vent connection or canopy required
- 3-stage filtering with condensing heat exchanger; 1st stage grease filter baffle, 2nd stage mesh particle filter, 3rd stage odour reduction charcoal filter
- Oven vent condensing heat exchanger reducing heat emissions
- Condensate collection to self-contained collection pan
No waste drain connection needed or condensate collection to waste drain. No manual emptying of condensate collection pan required
- Hood control interlock with oven - cannot operate without hood opening
- Low speed fan operation - reduced noise
- Automatic high speed fan when oven door is open
- User replacement charcoal filter
- Removable grease baffle and mesh filters
- 240V, 10A plug cordset electrical connection
- Hood installation kits are required to install VHSeries hoods on Turbofan ovens

turbofan[®]

COMBI

Turbofan Combi Steamers offer the ultimate in convenience, versatility and control, enabling you to deliver a wide range of foods to the highest standards without the need for large appliances.

From bread and pizza, through seafood, meats and vegetables to dessert, Turbofan Combi provides convection, steam or combination convection/steam cooking, with a choice of manual or digital models.

With refined lines and sophisticated design the entirely flat 40 Series lets you make the most of your space, be it behind the scenes or out in front of the crowd. Tuck it away in the bar area or have it pride of place in the open kitchen – either way you'll be happy to see this high performer deliver the goods time and time again.

- Choice of 6 models – 3 digital and 3 manual
- 7kW – 14kW heating power
- 30 – 80 covers per load
- 70mm tray spacing
- 5, 7 or 10 tray capacity
- 600mm x 400mm trays
- Range of accessories and options

MANUAL



EC40M5



EC40M7



EC40M10

DIGITAL



EC40D5








EC40D7





EC40D10

turbofan® COMBINATION STEAMERS

	Model	Hob Options	Dimensions	Gas Power kW	Price (exc. VAT)
 EC40M5	EC40M5		5 TRAY MANUAL ELECTRIC COMBI OVEN		
	<ul style="list-style-type: none"> W 777mm x D 835mm x H 777mm • 5 x 1/1 GN tray capacity • 5 x 600mm x 400mm tray capacity • 70mm tray spacing • 7.25kW heating power • 30 covers per load • Electromechanical controls • Supplied with water softener Stand SK40A 3.64.0029 Stainless Steel Wire Oven Grid 1/1 GN	7	£3,200.00	£650.00 £55.00	
 EC40D5	EC40D5		5 TRAY DIGITAL ELECTRIC COMBI OVEN		
	<ul style="list-style-type: none"> W 777mm x D 835mm x H 777mm • 5 x 1/1 GN tray capacity • 5 x 600mm x 400mm tray capacity • 70mm tray spacing • 7.25kW heating power • 30 covers per load • 2.4" LCD-TFT colour display with rapid selection scroller • Automatic cleaning system • Optional multipoint core temperature probe CP004 • Supplied with water softener Stand SK40A 3.64.0029 Stainless Steel Wire Oven Grid 1/1 GN	7	£4,300.00	£250.00 £650.00 £55.00	
 EC40M7	EC40M7		7 TRAY MANUAL ELECTRIC COMBI OVEN		
	<ul style="list-style-type: none"> W 777mm x D 835mm x H 942mm • 7 x 1/1 GN tray capacity • 7 x 600mm x 400mm tray capacity • 70mm tray spacing • 12.5kW heating power • 50 covers per load • 2.4" LCD-TFT colour display with rapid selection scroller • Supplied with water softener Stand SK40A 3.64.0029 Stainless Steel Wire Oven Grid 1/1 GN	12	£3,975.00	£650.00 £55.00	
 EC40D7	EC40D7		7 TRAY DIGITAL ELECTRIC COMBI OVEN		
	<ul style="list-style-type: none"> W 777mm x D 835mm x H 942mm • 7 x 1/1 GN tray capacity • 7 x 600mm x 400mm tray capacity • 70mm tray spacing • 12.5kW heating power • 50 covers per load • 2.4" LCD-TFT colour display with rapid selection scroller • Automatic cleaning system • Optional multipoint core temperature probe CP004 • Supplied with water softener Stand SK40A 3.64.0029 Stainless Steel Wire Oven Grid 1/1 GN	12	£5,100.00	£250.00 £600.00 £55.00	
 EC40M10	EC40M10		10 TRAY MANUAL ELECTRIC COMBI OVEN		
	<ul style="list-style-type: none"> W 777mm x D 835mm x H 1152mm • 10 x 1/1 GN tray capacity • 10 x 600mm x 400mm tray capacity • 70mm tray spacing • 14.5kW heating power • 80 covers per load • Electromechanical controls • Supplied with water softener Stand SK40-10A 3.64.0029 Stainless Steel Wire Oven Grid 1/1 GN	14	£4,400.00	£650.00 £55.00	

turbofan® COMBINATION STEAMERS

Dimensions / Power (w x d x h)	Standard Features	Optional Extras	Price (exc. VAT)
 <p>EC40D10</p>	EC40D10 10 TRAY DIGITAL ELECTRIC COMBI OVEN		
	W 777mm x D 835mm x H 1152mm	14	£5,600.00
	<ul style="list-style-type: none"> • 10 x 1/1 GN tray capacity • 10 x 600mm x 400mm tray capacity • 70mm tray spacing • 14.5kW heating power • 80 covers per load • 2.4" LCD-TFT colour display with rapid selection scroller • Automatic cleaning system • Optional multipoint core temperature probe CP004 • Supplied with water softener 		£250.00
	Stand SK40-10A		£650.00
	3.64.0029 Stainless Steel Wire Oven Grid 1/1 GN		£55.00

Model nos

Opposite hinge door (factory fit only)	£120.00
CDL05 Detergent cartridge 5ltr for auto wash units	£80.00

PIZZA & BAKERY EQUIPMENT

Dimensions / Power (w x d x h)	Options	kw	Price (exc. VAT)
-----------------------------------	---------	----	------------------



430/DS-M | ELECTRIC PIZZA OVEN

Dimensions: mm (w x d x h)
 External 950 x 950 x 400
 Internal 630 x 630 x 150
 Net weight: 94kg
 Single Phase

430/DS-M electric pizza oven
 Pizza capacity: 4 x 12 inch pizzas per deck.

4.4 £1,200.00

BSPZ01 £650.00
 Steel stand with adjustable feet
 W 950mm x D 950mm x H 900mm



830/DS-M | ELECTRIC PIZZA OVEN

Dimensions: mm (w x d x h)
 External 950 x 950 x 730
 Internal 630 x 630 x 150
 (per deck)
 Net weight: 158kg
 Single Phase
 2 x 4.4kW electrical supplies

830/DS-M electric pizza oven
 Pizza capacity: 4 x 12 inch pizzas per deck.

8.8 £1,875.00

BSPZ01 £650.00
 Steel stand with adjustable feet
 W 950mm x D 950mm x H 900mm



BM10 | PLANETARY MIXER

Dimensions: mm (w x d x h)
 400 x 450 x 630 (stand foot print)
 Capacity 10 litres
 Net weight: 62kg

10 litre mixer

3 £1,150.00



BM20 | HEAVY DUTY MIXER

Dimensions: mm (w x d x h)
 515 (incl. handle) x 518 x 879
 Capacity 20 litres
 Net weight: 98kg

20 litre mixer

3 £1,600.00

WARE WASHING EQUIPMENT



SG4E2

GLASS WASHER



Dimensions: mm (w x d x h)
 External w460 x d521 x h680
 400mm x 400mm rack size
 Includes rinse aid detergent and drain pumps

2.66w

£1,125.00

Pedestal stand

£200.00



SG45E2

GLASS WASHER



Dimensions: mm (w x d x h)
 External w530 x d600 x h755
 450mm x 450mm rack size
 Includes rinse aid detergent and drain pumps

3.78w

£1,600.00

Pedestal stand

£300.00



SG5EC2

GLASS WASHER



Dimensions: mm (w x d x h)
 External w600 x d600 x h820
 500mm x 500mm rack size
 Includes rinse aid detergent and drain pumps

3.78w

£1,500.00

Pedestal stand

£300.00



SD5EC2

DISH WASHER



Dimensions: mm (w x d x h)
 External w600 x d600 x h820
 500mm x 500mm rack size
 Includes rinse aid detergent and drain pumps

3.78w

£1,500.00

Pedestal stand

£300.00



SD5ECBT2

DISH WASHER



Dimensions: mm (w x d x h)
 External w600 x d600 x h820
 500mm x 500mm rack size
 Includes rinse aid detergent and drain pumps

6.45w

£1,800.00

Pedestal stand

£300.00

Class 'A' air gap breaktank model

WARE WASHING EQUIPMENT



Dimensions / Power
(w x d x h)

Options

kw

Price (exc. VAT)

SH55E BT | HIGH VOLUME HOOD WASHER

Dimensions: mm (w x d x h)
External 710 x d735 x h1450
Lowered 1860 raised.

SH55E high volume hood washer single phase 6.75
SH55E high volume hood washer 3 phase 10
55068 Stainless steel wings

£2,775.00
£2,775.00
£275.00 (each)

Features: Twin wash cycle
and integral break tank.
Rack output: 30 per hour

* Model Includes rinse aid detergent and drain pumps.



SH120E BT | HIGH VOLUME HOOD WASHER

Dimensions: mm (w x d x h)
External 710 x 740 x 1450
lowered 1860 raised.

SH120E high volume hood washer
(three phase only)

10.1

£3,500.00

Features: Class "A" Air Gap,

55068 Stainless steel wings

£275.00 (each)

integral break tank and has
three wash programmes.
Basket size: 500mm.
Washing capacity: up to 1200 plates per hour

* Model Includes rinse aid detergent and drain pumps.



WATER SOFTENERS

Brita Aquaquell Purity 600 Complete System With MCU Display

£1,100.00

Manual water softeners

WS08
WS12
WS16

8
12
16

£180.00
£200.00
£250.00